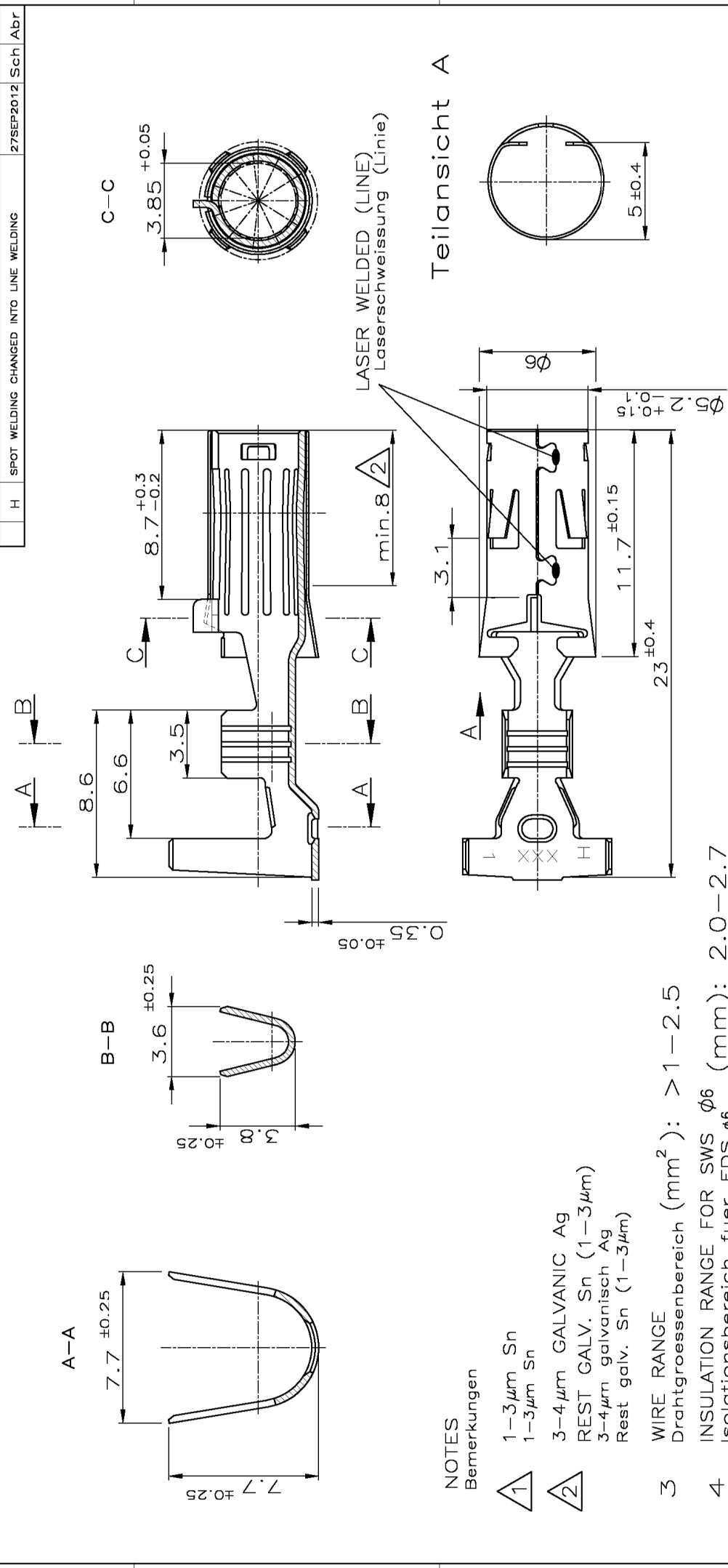


THIS DRAWING IS UNPUBLISHED.		RELEASED FOR PUBLICATION		LOC		DIST		REVISIONS	
© COPYRIGHT - By -		ALL RIGHTS RESERVED.		AI		-		DESCRIPTION	
				F		DOVE TAIL ADDED / Schweißschwanz eingefügt		DATE	
				G		DRAWING ADAPTED / Zeichnung angepasst		28JUL2006	
				H		SPOT WELDING CHANGED INTO LINE WELDING		C.H. C.G.	
								14AUG2007	
								Sch C.G.	
								27SEP2012	
								Sch Abr	



NOTES
Bemerkungen

- 1-3 μm Sn
1-3 μm Sn
- 3-4 μm GALVANIC Ag
REST GALV. Sn (1-3 μm)
3-4 μm galvanisch Ag
Rest galv. Sn (1-3 μm)
- 3 WIRE RANGE
Drahtgrößenbereich (mm²): >1-2.5
- 4 INSULATION RANGE FOR SWS φ6 (mm): 2.0-2.7
Isolationsbereich fuer EDS φ6

OPTIONAL

GERMAN SILVER Neusilber	PLAIN/blank	0-962954-5	H	REV.
CuNiSi	PRESILVERED vorversilbert	0-962954-2	H	
CuNiSi	PRETINNED vorverzinkt	0-962954-1	H	
MATERIAL	FINISH	PART NO.		

THIS DRAWING IS A CONTROLLED DOCUMENT.

DIMENSIONS: mm

TOLERANCES UNLESS OTHERWISE SPECIFIED:

1. PLC	±	±0.2mm
2. PLC	±	±
3. PLC	±	±
4. PLC	±	±
ANGLES	±	±1.5°
FINISH		

MATERIAL: -

STE TE Connectivity

NAME: φ 4MM SOCKET CONTACT, SWS
φ 4mm Buchsenkontakt, EDS

PRODUCT SPEC: 108-18472

APPLICATION SPEC: 114-18118

WEIGHT: -

SIZE: A3

CAGE CODE: 00779

DRAWING NO: 962954

SCALE: 5:1

SHEET: 1 OF 1

REV: H

CUSTOMER DRAWING