

### Introduction

#### Technical Features

##### Material

Contact: CuNiSi  
Pin Contact: Copper-Alloy  
Cantilever Spring: Stainless Steel

##### Contact Finish:

Tin plated

##### Conductor Binding:

Crimp Technology

##### Wire Size Range:

0.35 mm<sup>2</sup> up to 0.5 mm<sup>2</sup>  
0.75 mm<sup>2</sup> up to 1.5 mm<sup>2</sup>

##### Current Carrying Capacity:

Up to 10 A at 80 °C

##### Temperature Range:

-40 °C ... +120 °C (tin plated)

##### Centerline:

- 3.5 x 2.54 mm (unsealed)
- 4.0 x 4.0 mm (wire size equal or less than 0.75 mm<sup>2</sup>, sealed)
- 4.5 x 4.5 mm (wire size 1.0-1.5 mm<sup>2</sup>, sealed)

##### Mating Cycles:

20 tin plated

##### Special Applications:

Receptacle Contact  
Clean Body

##### Extraction Tool:

Part No. **6-1579007-2** or  
Part No. **1355968-1**

##### Table Drawings:

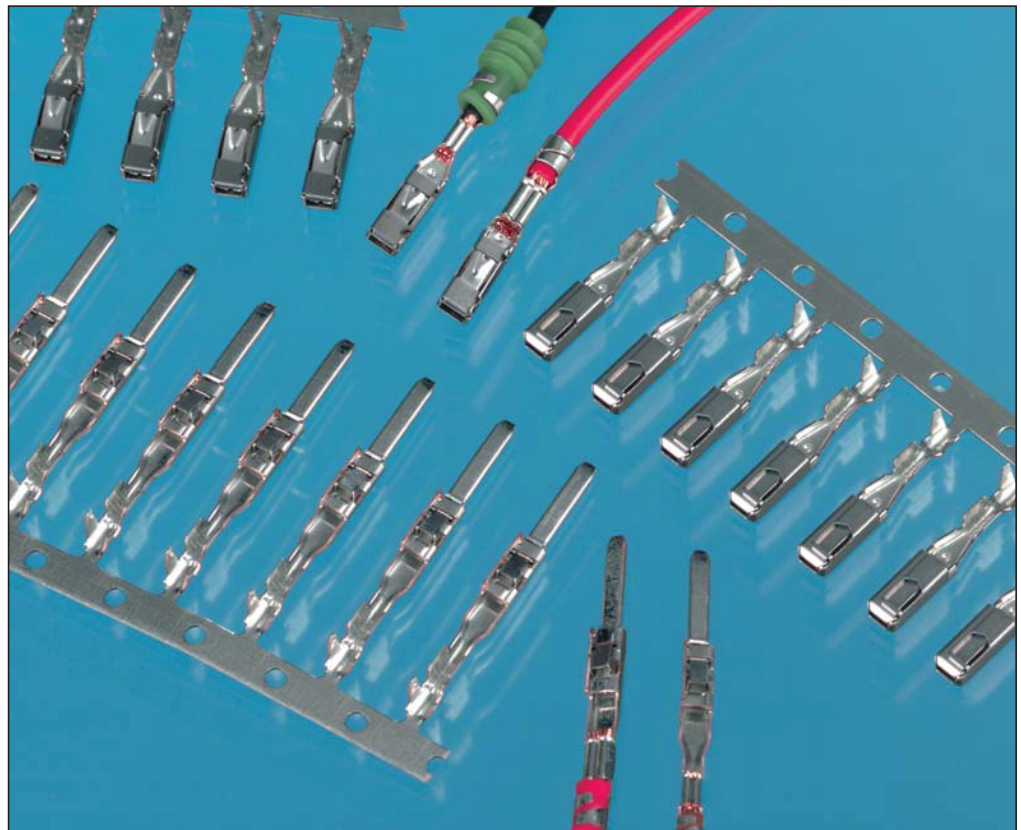
1241611  
1241612 (Clean Body)  
1452079

##### Product Specification:

108-18030

##### Application Specification:

114-18286



#### Product Description

With the well known Micro Quadlok System (MQS) we can offer you an additional contact 1.5 mm MQS.

Available as male and female receptacle. The new terminal absolutely supplements the product range. All the advantages are designed in.

It is suitable for sealed and unsealed applications. Single wire sealing or the clean body version can give you high ability on the connector design.

In combination with the MQS, MPQ and PQ you have the benefit to have the secondary locking on a common level.

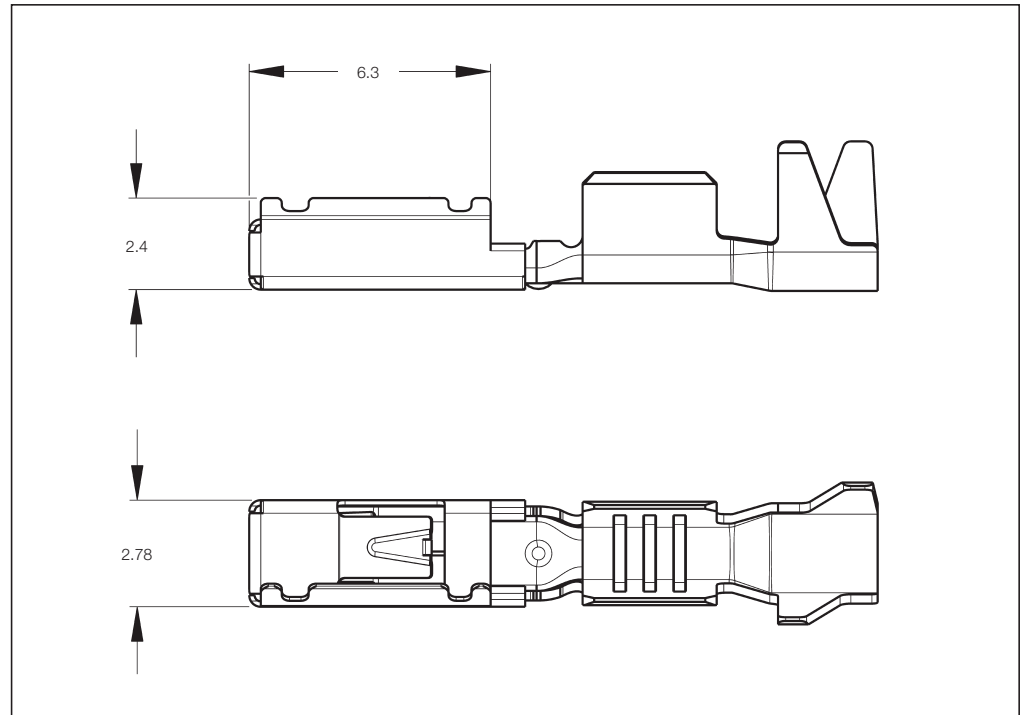
Mounting and dismounting of the terminals still guarantees the retention function. On the pin header side you can use a pin with higher rigidity.

With the two piece design electrical and mechanical functions are separated. Polarization and the two independent lockings bring together a safe and easy handling at the harness maker.

The normal contact force achieves without assisting cantilever spring. Four independent contact points assure a perfect current carry which you can use to contact stamped lead frames.

Receptacle Contacts

**Receptacle**  
**1.5 x 0.63 mm,**  
**Mates with MQS 1.5**



**Standard Receptacle Contacts**

Wire Size Range (mm <sup>2</sup> )	Insulation Diameter		Material and Finish	Part Numbers						
	FLK (mm)	FLR (mm)		Strip Form	Package Quantity	Loose-Piece	Package Quantity	Applicator		Hand Tool 539635-1 with Die Set
								Standard	Fine Adjust	
0.35–0.50	–	1.1–1.6	tin plated	1355556-1	11,000	1355557-1	500	–	1528287	539692-2
0.75–1.50	–	1.7–2.4	tin plated	1355553-1	8,500	1355554-1	500	1426196	1528207	

**Single Wire Sealing System**

Wire Size Range (mm <sup>2</sup> )	Insulation Diameter		Material and Finish	Part Numbers						
	FLK (mm)	FLR (mm)		Strip Form	Package Quantity	Loose-Piece	Package Quantity	Applicator		Hand Tool 539635-1 with Die Set
								Standard	Fine Adjust	
0.35–0.50	–	1.1–1.6	tin plated	1241603-1	8,500	1241604-1	500	–	1528323	539693-2
0.75–1.50	–	1.7–2.4	tin plated	1241605-1	8,500	1241606-1	500	1426403	1528227	

**Clean Body**

Wire Size Range (mm <sup>2</sup> )	Insulation Diameter		Material and Finish	Part Numbers						
	FLK (mm)	FLR (mm)		Strip Form	Package Quantity	Loose-Piece	Package Quantity	Applicator		Hand Tool 539635-1 with Die Set
								Standard	Fine Adjust	
0.35–0.50	–	1.1–1.6	tin plated	1452158-1	12,000	1452157-1	500	–	1528287	539692-2
0.75–1.50	–	1.7–2.4	tin plated	1241608-1	8,500	1241609-1	500	1426196	1528207	