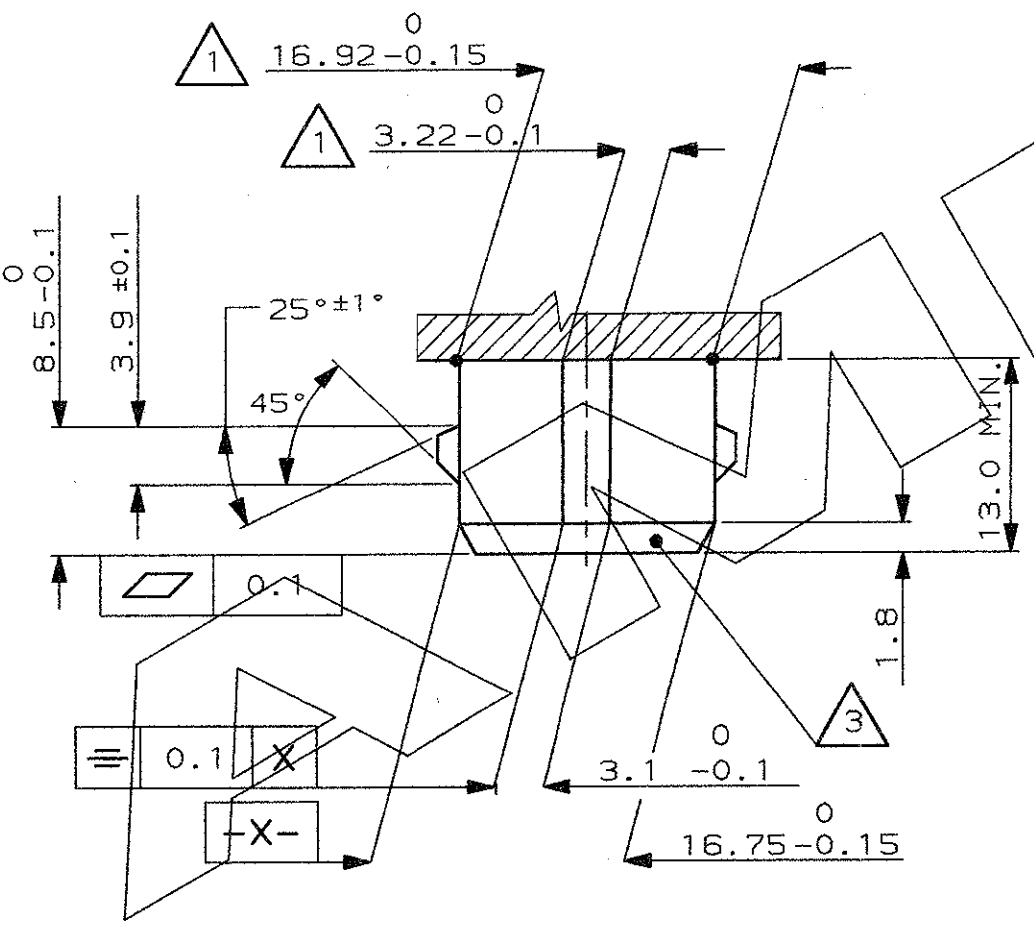


- 1 QUOTE APPLICABILI PER SFORMATURA PEZZO (DRAFT PERMITTED TO FACILITATE REMOVAL OF PART FROM THE MOULD)
- 2 MATERIALE LINGUETTE: LEGA DI RAME STAGNATA, ES. OTTONE STAGNATO. (TAB CONTACT MATERIAL: TIN PLATED COPPER ALLOY, E.G. BRASS TIN PLATED)
- 3 MATERIALE BLOCCHETTO: TERMOPLASTICO CARICATO FIBRA VETRO. (HOUSING MATERIAL: THERMOPLASTIC, GLASS FIBER FILLED)



REV.	REVISIONI (REVISION RECORD)	DIS. (DR.)	DATA (DATE)	APP. (APP.)	FINITURA / COLORE (FINISH / COLOUR)	MATERIALE (MATERIAL)	NUMERO (PART NUMBER)
					CUSTOMER DWG. FOR REFERENCE ONLY		DISEGNO PER CLIENTE SOLO PER RIFERIMENTO
					THIS DRAWING IS UNPUBLISHED		RELEASE FOR PUBLICATION 19
					© COPYRIGHT 19 BY AMP INCORPORATED, HARRISBURG, PA. ALL INTERNATIONAL RIGHT RESERVED. AMP PRODUCTS MAY BE COVERED BY U.S. AND FOREIGN PATENT AND/OR PATENT PENDING		
					TOLLERANZE: SE NON DIVERSAMENTE SPECIFICATO (TOLERANCES, UNLESS OTHERWISE SPECIFIED)	DIAM. ISOLANTE (INS. DIA. RANGE)	RANGO FILO (WIRE RANGE)
					± 0.3	---	---
					ANGOLI (ANGLES)		SCALA (SCALE)
					± 2°		---
					DIS. (DR.)	DESCRIZIONE (DESCRIPTION)	
					CONT. (CHK)	2 POS. SPLASH PROOF CONN. ASS'Y with SECONDARY LOCK	
					LOC. (LOC.)	SIZE (SIZE)	NUMERO (DWG NO)
					I A3		C-282762
						REV. (REV.)	FOLIO (SHEET)
						E4	2 DI (OF) 2

DISTRIBUZIONE (PRINT/DIST.)