

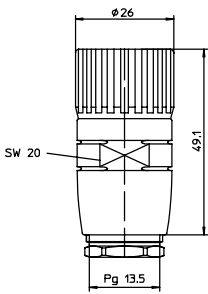
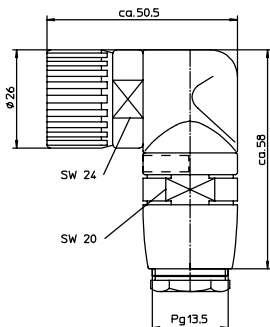


Field Attachable M23 Connectors – Female





Technical Information

Product Description		
Order Designation	RKC .../13.5	RKCW .../13.5
		
Description	Field attachable connector, M23 female with screw coupling, assembly using solder terminals, 12 and 19-pin	Field attachable connector, M23 female connector, angled design, with screw coupling, assembly using solder terminals, 12 and 19-pin
RoHS-compliant (2011/65/EU)	Yes	
(Construction Type) Standard	–	
Approvals	–	
Technical Data		
Ambient Temperature	-40 °C to +125 °C	
Housing Material/Grip	CuZn, nickel-plated	
Contact Holder Material	PBT	
Contact Material/Surface Finish	CuZn, nickel underlay and gold-plated	
Screw Coupling Material	CuZn, nickel-plated	
Mechanical Data		
Degree of Protection	IP67 (only when mated with Hirschmann/Lumberg counterparts)	
Electrical Data		
Contact Resistance	≤ 5 mΩ	
Operating Voltage	12-pin: 120 V AC/DC, 19-pin: 120 V AC/DC	
Rated Current	12 and 19-pin 7.5 A (pin Ø 1 mm) and 10 A (pin Ø 1.5 mm)	
Pollution Degree	3	
Technical Drawing		
		

Pin Assignment



Order Information

Order No.	Order Designation	No. of Pins	Terminal Type	Conductor Size	Cable Gland	Characteristics
2054	RKC 120/13.5	12	solder	12 x max. 1 mm ²	Ø 10.0 to 14.0 mm, PG 13.5	
2135	RKC 190/13.5	19	solder	16 x max. 1 mm ² , 3 x 1.5 mm ²	Ø 10.0 to 14.0 mm, PG 13.5	
2072	RKCW 120/13.5	12	solder	12 x max. 1 mm ²	Ø 10.0 to 14.0 mm, PG 13.5	
2207	RKCW 190/13.5	19	solder	16 x max. 1 mm ² , 3 x 1.5 mm ²	Ø 10.0 to 14.0 mm, PG 13.5	

Conversion table mm² to AWG on page 20.