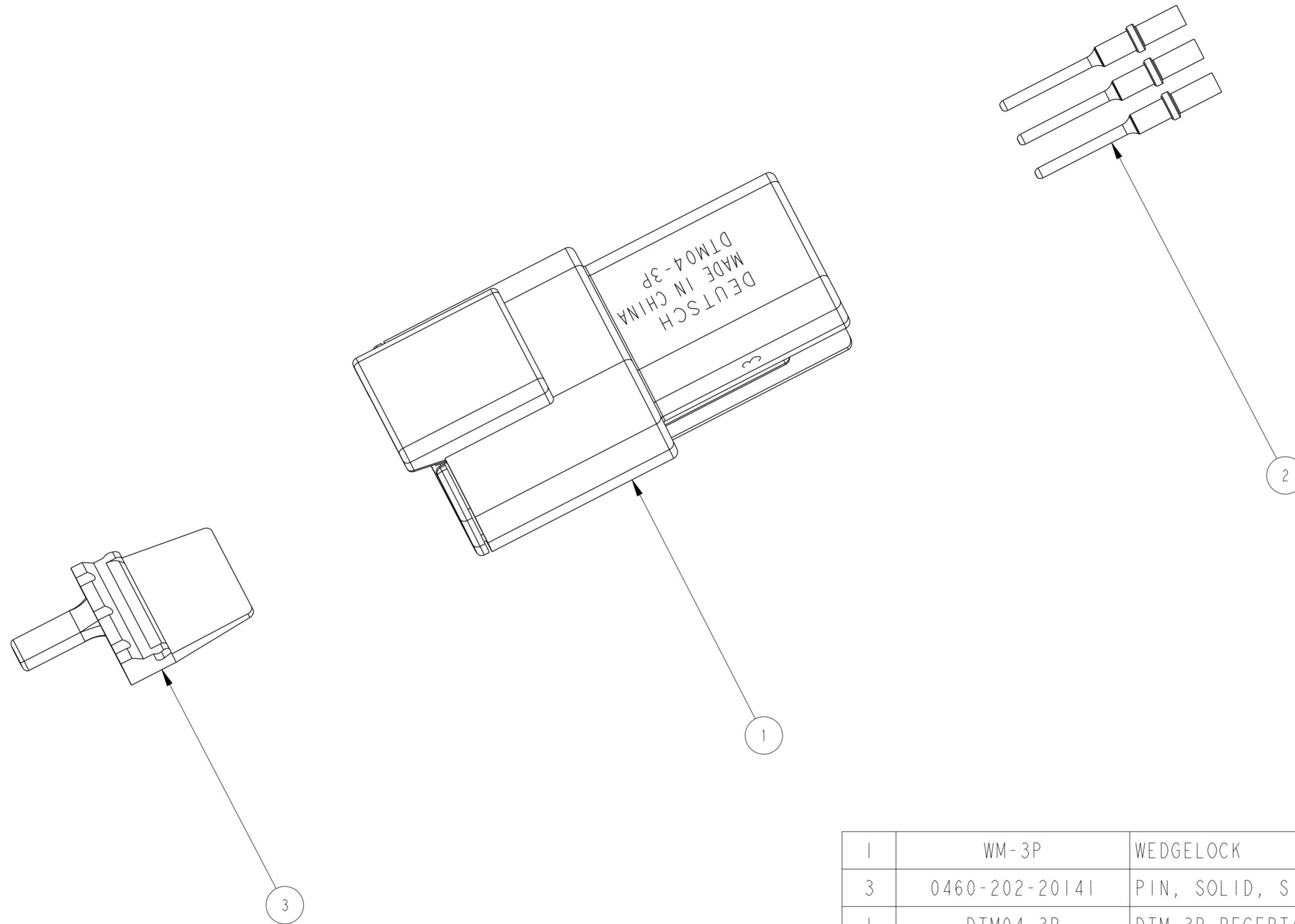


| P | LTR | DESCRIPTION     | DATE      | DWN | APVD |
|---|-----|-----------------|-----------|-----|------|
|   | A   | INITIAL RELEASE | 20MAR2020 | AP  | IG   |
|   |     |                 |           |     |      |
|   |     |                 |           |     |      |



| QTY  | PART NUMBER    | DESCRIPTION                         | ITEM NO |
|--|----------------|-------------------------------------|---------|
| 1  | WM-3P          | WEDGELOCK                           | 3       |
| 3  | 0460-202-20141 | PIN, SOLID, SIZE 20, 20 AWG, NICKEL | 2       |
| 1  | DTM04-3P       | DTM 3P RECEPTACLE ASSEMBLY          | 1       |
| - < REVISION OF EACH ASSY NO. (WHEN BLANK, USE DRAWING REVISION) |                |                                     |         |
| PARTS LIST   |                |                                     |         |

3 APPLICATION SPECIFICATION: CONNECTOR: 114-151010  
TERMINAL: 114-151004

2 PRODUCT SPECIFICATION: CONNECTOR: 108-151010  
TERMINAL: 108-151004

1. WEDGELOCK, TERMINALS AND RECEPTACLE ASSEMBLY ARE SHIPPED UNASSEMBLED IN THE SAME BAG.

NOTES:

|  |             |                               |   |                              |                                |
|--|-------------|-------------------------------|---|------------------------------|--------------------------------|
| THIS DRAWING IS A CONTROLLED DOCUMENT. |             | DWN A POLO 20MAR2020          | <b>STE</b> TE Connectivity                            |                              |                                |
| DIMENSIONS: INCHES                     |             | CHK I GRANICHAROVA 20MAR2020  |   |                              |                                |
| TOLERANCES UNLESS OTHERWISE SPECIFIED: |             | APVD I GRANICHAROVA 20MAR2020 |   |                              |                                |
| 0 PLC ±                                | 1 PLC ±     | PRODUCT SPEC 2                | NAME DTM04-3P COMPLETE KIT W/ WEDGELOCK AND TERMINALS |                              |                                |
| 2 PLC ±                                | 3 PLC ±.025 | APPLICATION SPEC 3            | SIZE A2   | CAGE CODE 00779              | DRAWING NO C-DTM04-3P-COMPLETE |
| 4 ANGLES ±                             | FINISH ±5°  | WEIGHT 7.38                   | RESTRICTED TO -                                       | SCALE 3:1 SHEET 1 OF 1 REV A |                                |
| MATERIAL                               |             | CUSTOMER DRAWING              |   |                              |                                |