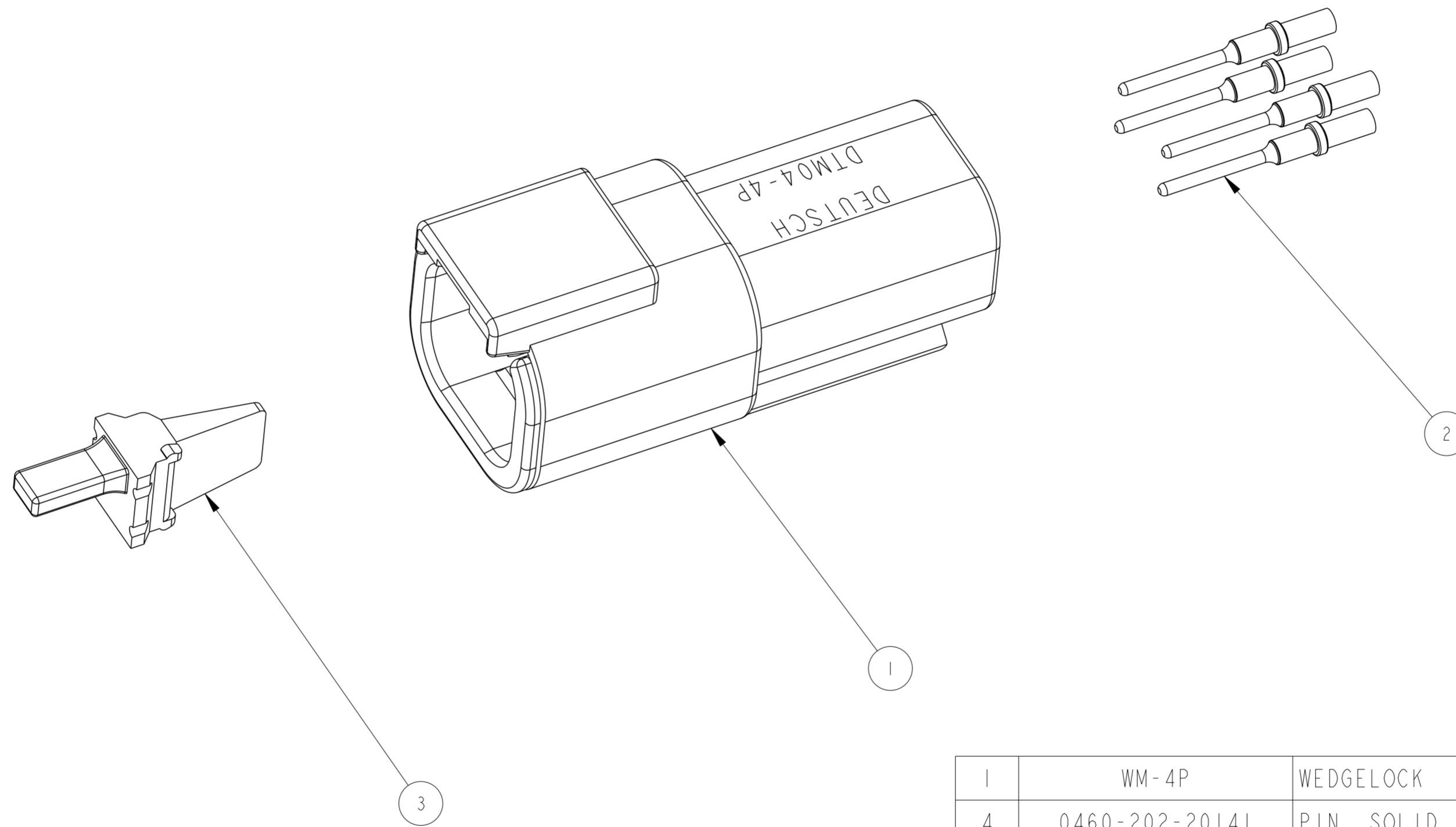


P	LTR	DESCRIPTION	DATE	DWN	APVD
	A	INITIAL RELEASE	27MAR2020	AP	IG



QTY	PART NUMBER	DESCRIPTION	ITEM NO
1	WM-4P	WEDGELOCK	3
4	0460-202-20141	PIN, SOLID, SIZE 20, 20 AWG, NICKEL	2
1	DTM04-4P	DTM 4P RECEPTACLE ASSEMBLY	1
PARTS LIST			
- < REVISION OF EACH ASSY NO. (WHEN BLANK, USE DRAWING REVISION)			

3. APPLICATION SPECIFICATION: CONNECTOR: 114-151010
TERMINAL: 114-151004

2. PRODUCT SPECIFICATION: CONNECTOR: 108-151010
TERMINAL: 108-151004

1. WEDGELOCK, TERMINALS AND RECEPTACLE ASSEMBLY ARE SHIPPED UNASSEMBLED IN THE SAME BAG.

NOTES:

THIS DRAWING IS A CONTROLLED DOCUMENT.		DWN A POLO 27MAR2020	TE Connectivity			
DIMENSIONS: INCHES		CHK I GRANICHAROVA 27MAR2020				
TOLERANCES UNLESS OTHERWISE SPECIFIED:		APVD I GRANICHAROVA 27MAR2020				
0 PLC ± 1 PLC ± 2 PLC ±.025 3 PLC ± 4 PLC ± ANGLES ±5° FINISH		PRODUCT SPEC 2 APPLICATION SPEC 3	NAME DTM04-4P COMPLETE KIT W/ WEDGELOCK AND TERMINALS			
MATERIAL		WEIGHT 9.66 g	SIZE A2	CAGE CODE 00779	DRAWING NO. C=DTM04-4P-COMPLETE	RESTRICTED TO -
CUSTOMER DRAWING			SCALE 3:1	SHEET 1 OF 1	REV A	