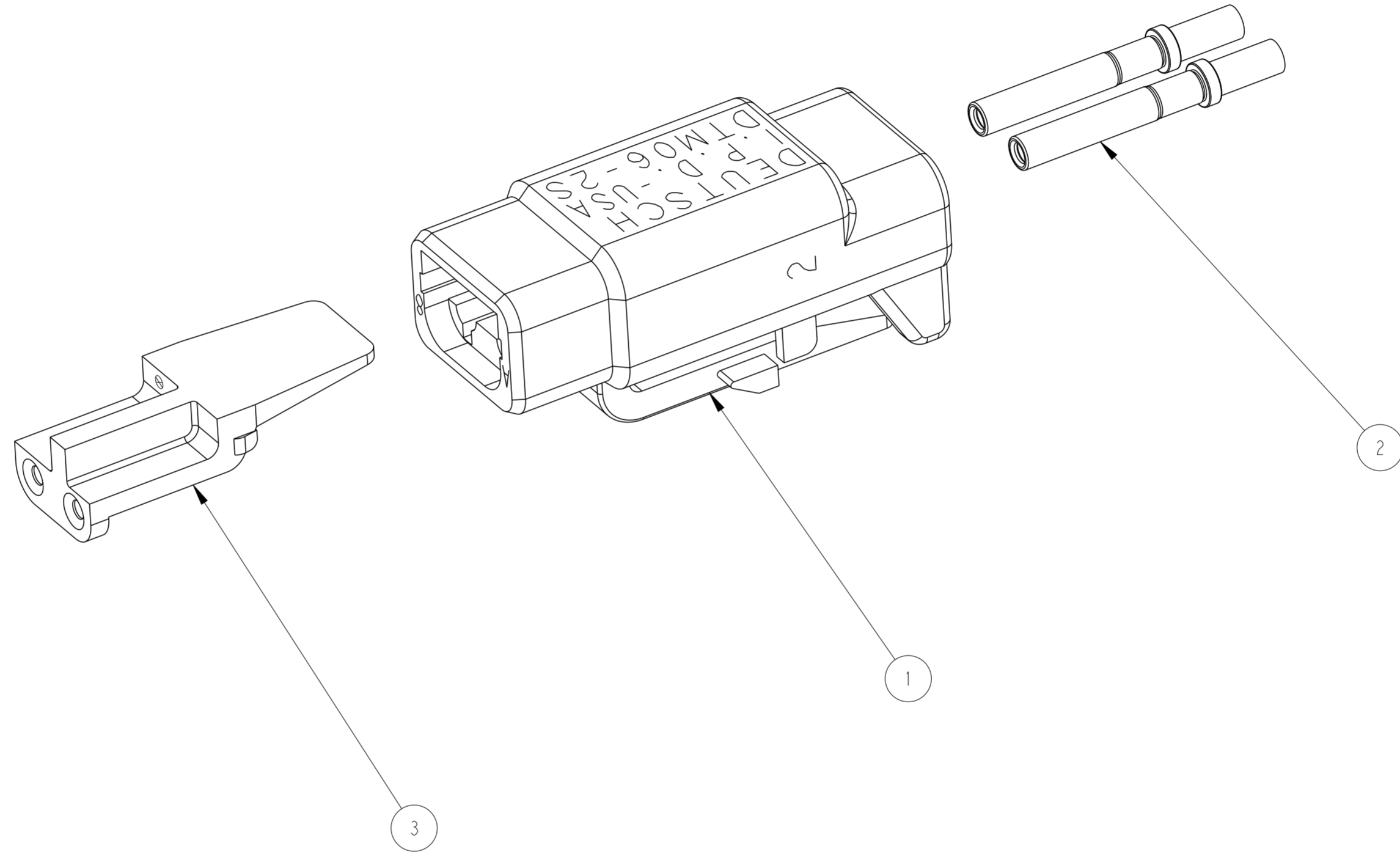


P	LTR	DESCRIPTION	DATE	DWN	APVD
	A	INITIAL RELEASE	03APR2020	AP	IG



QTY	PART NUMBER	DESCRIPTION	ITEM NO
1	WM-2S	WEDGELOCK	3
2	0462-201-20141	SOCKET, SOLID, SIZE 20, 20 AWG, NICKEL	2
1	DTM06-2S	DTM 2P PLUG ASSEMBLY	1
-	< REVISION OF EACH ASSY NO. (WHEN BLANK, USE DRAWING REVISION)		
PARTS LIST			

3. APPLICATION SPECIFICATION: CONNECTOR: 114-151010
TERMINAL: 114-151004

2. PRODUCT SPECIFICATION: CONNECTOR: 108-151010
TERMINAL: 108-151004

1. WEDGELOCK, TERMINALS AND PLUG ASSEMBLY ARE SHIPPED UNASSEMBLED IN THE SAME BAG.

NOTES:

THIS DRAWING IS A CONTROLLED DOCUMENT.		DWN A POLO 03APR2020	STE TE Connectivity	
DIMENSIONS: INCHES		CHK I GRANICHAROVA 03APR2020		
TOLERANCES UNLESS OTHERWISE SPECIFIED:		APVD I GRANICHAROVA 03APR2020	NAME DTM06-2S COMPLETE KIT W/ WEDGELOCK AND TERMINALS	
0 PLC ± 1 PLC ± 2 PLC ± 3 PLC ±.025 4 PLC ± ANGLES ±		PRODUCT SPEC 2	RESTRICTED TO -	
MATERIAL FINISH		APPLICATION SPEC 3	SIZE A2	CAGE CODE 00779
		WEIGHT 3.52 g	DRAWING NO DTM06-2S-COMPLETE	
		CUSTOMER DRAWING	SCALE 4:1	SHEET 1 OF 1