

Wire-to-Wire Applications

Technical Features

No. of Positions:

2 Positions

Applicable Wires:

- 0.2–1.25 mm² (AWG 24–16)

Raw Material:

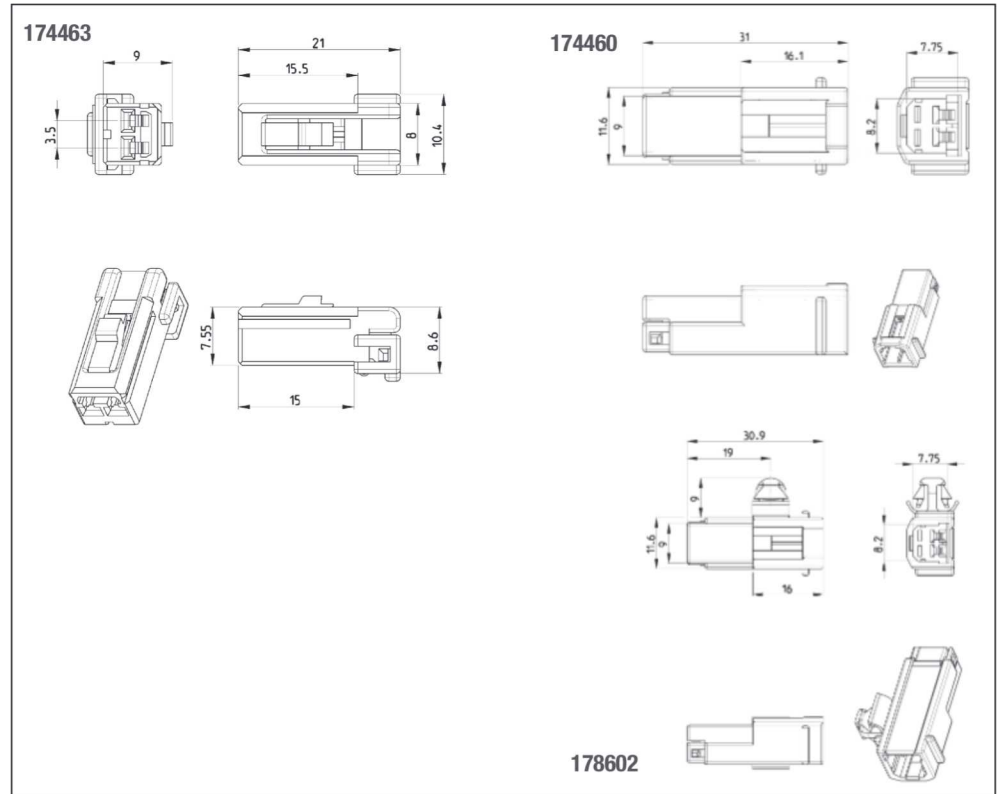
- Housing
- Cap: PBT
- Plug: PBT

Product Specification:

108-5264

Application Specifications:

- 114-5091 (Receptacle)
- 114-5092 (Tab)



Technical Features

No. of Positions:

3 Positions

Applicable Wires:

- 0.2–1.25 mm² (AWG 24–16)

Raw Material:

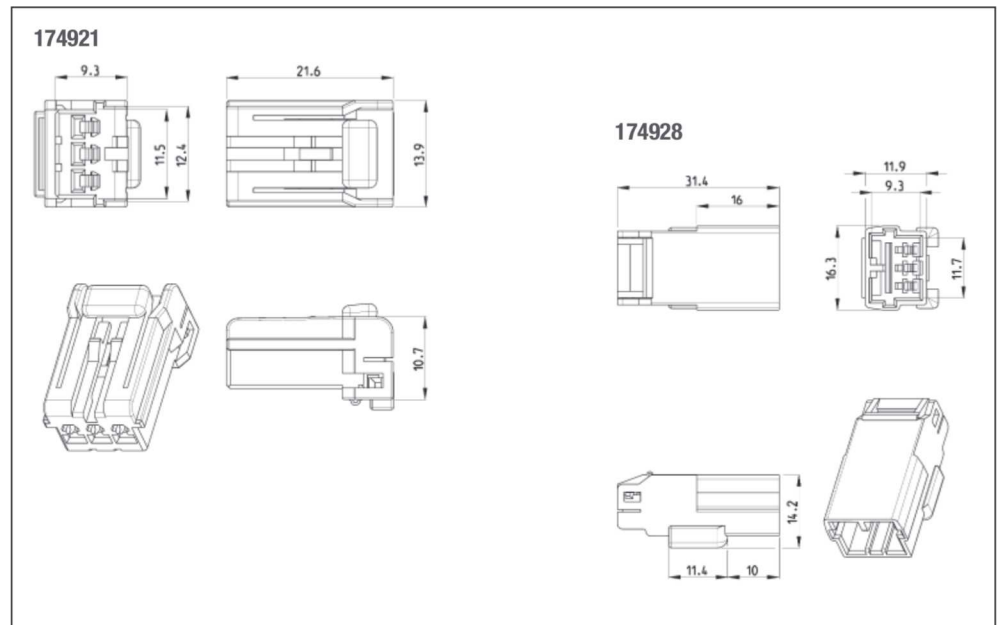
- Housing
- Cap: PBT
- Plug: PBT

Product Specification:

108-5264

Application Specifications:

- 114-5091 (Receptacle)
- 114-5092 (Tab)



| No. of Positions | Terminate To | Plug Assembly | Cap Housing | Cap Housing Horizontal Mount | Cap Housing Vertical Mount | Mating Plug |
|------------------|--------------|---------------|--|------------------------------|----------------------------|-------------|
| 2 | Wire | 174463-1 | 174460-1 131844-1 (Panel Mount) 178602-1 (Panel Mount) | | | |
| 3 | Wire | 174921-1 | 174928-1 | | | |

Note: All Part Numbers are RoHS and ELV compliant.