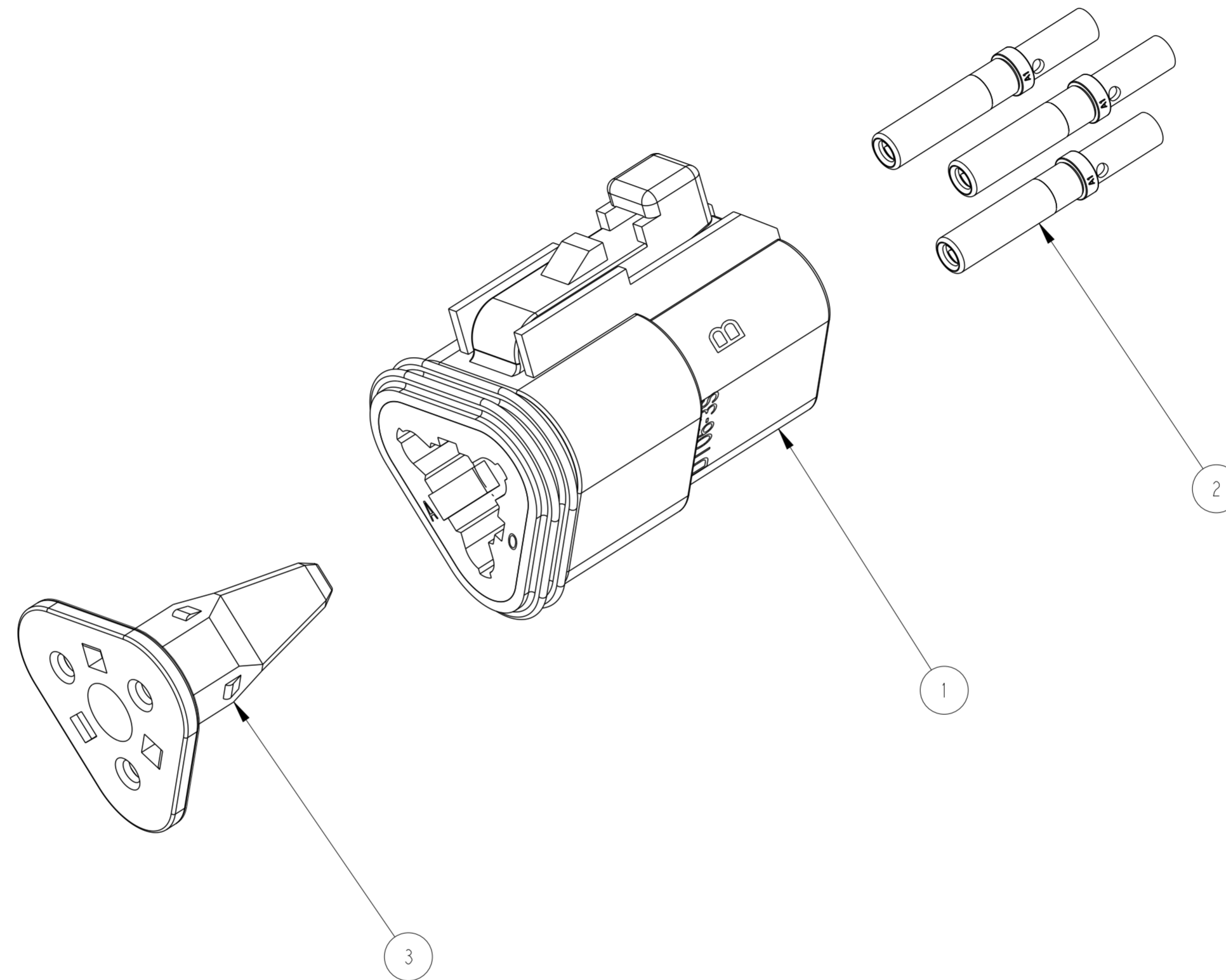


REVISIONS

P	LTR	DESCRIPTION	DATE	DWN	APVD
	A	INITIAL RELEASE	13MAR2020	AP	IG



QTY	PART NUMBER	DESCRIPTION	ITEM NO
1	W3S	WEDGELOCK	3
3	0462-201-16141	SOCKET, SOLID, SIZE 16, 16-20 AWG, NICKEL	2
1	DT06-3S	DT 3P PLUG ASSEMBLY	1
- < REVISION OF EACH ASSY NO. (WHEN BLANK, USE DRAWING REVISION)			
PARTS LIST			

3. APPLICATION SPECIFICATION: CONNECTOR: 114-151009
TERMINAL: 114-151004

2. PRODUCT SPECIFICATION: CONNECTOR: 108-151009
TERMINAL: 108-151004

1. WEDGELOCK, TERMINALS AND PLUG ASSEMBLY ARE SHIPPED UNASSEMBLED IN THE SAME BAG.

NOTES:

THIS DRAWING IS A CONTROLLED DOCUMENT.		DWN A POLO 13MAR2020	STE TE Connectivity			
DIMENSIONS: INCHES		CHK I GRANICHAROVA 13MAR2020				
TOLERANCES UNLESS OTHERWISE SPECIFIED:		APVD I GRANICHAROVA 13MAR2020	NAME DT06-3S COMPLETE KIT W/ WEDGELOCK AND TERMINALS			
0 PLC ± 1 PLC ± 2 PLC ± 3 PLC ±.025 4 PLC ± ANGLES ±		PRODUCT SPEC 2				
MATERIAL FINISH		APPLICATION SPEC 3	SIZE A2	CAGE CODE 00779	DRAWING NO G-DT06-3S-COMPLETE	RESTRICTED TO -
		WEIGHT 8.39 g	SCALE 3:1	SHEET 1 OF 1	REV A	
		CUSTOMER DRAWING				