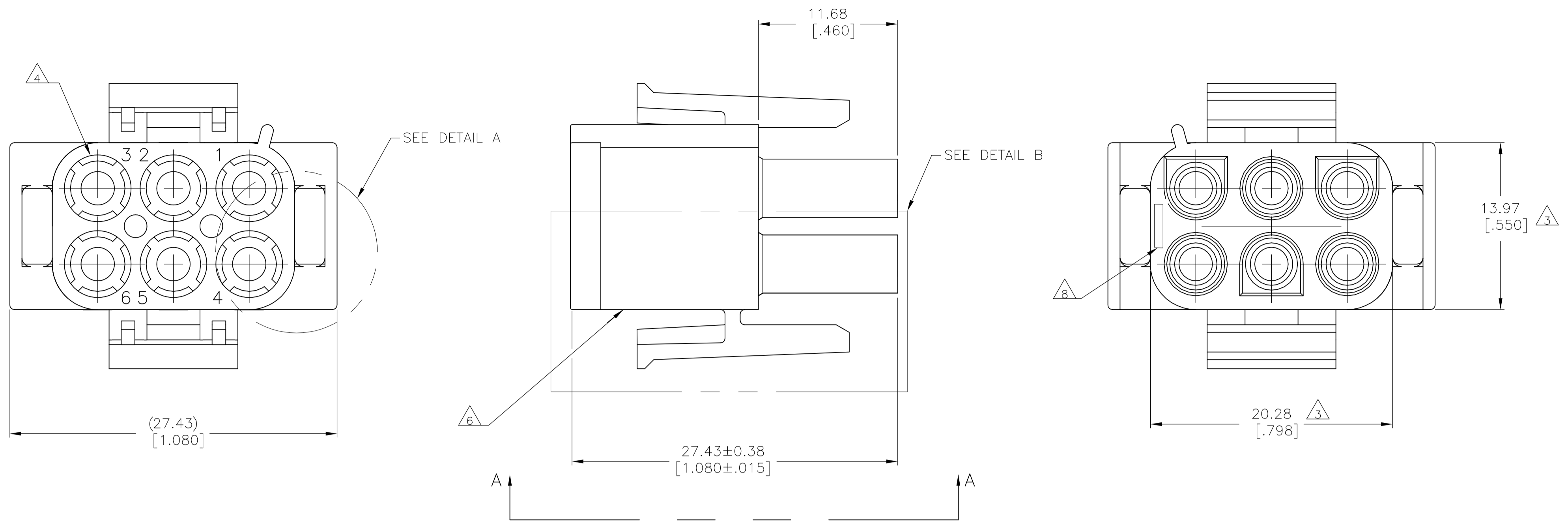
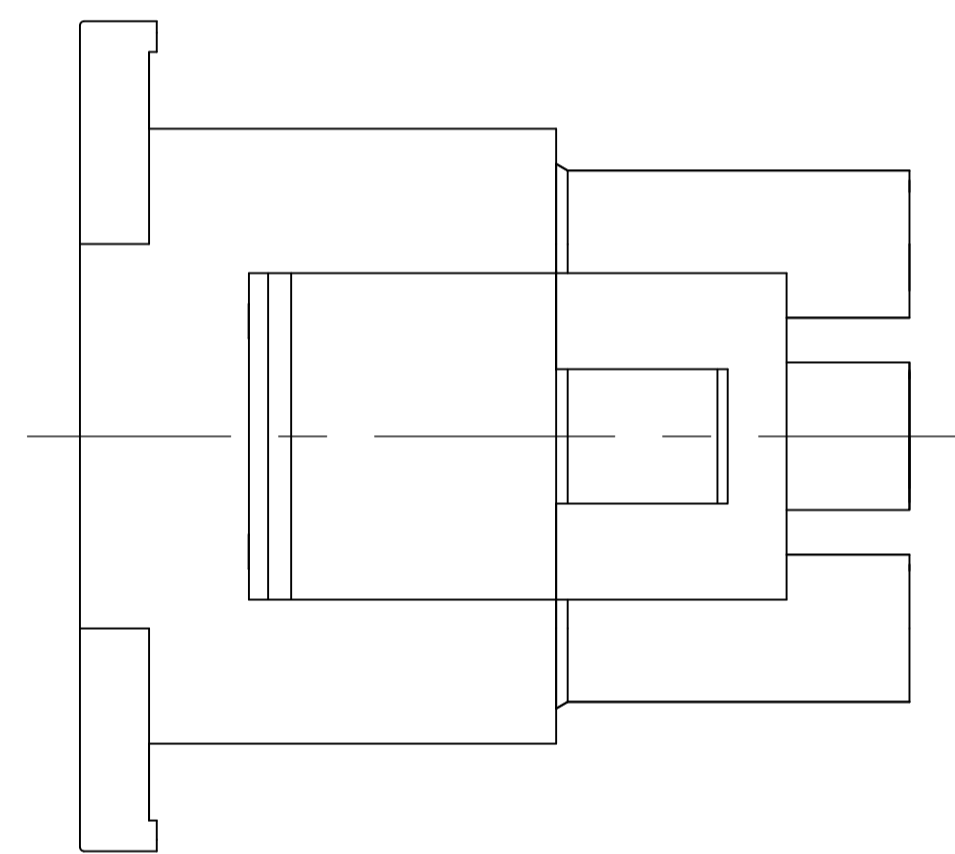


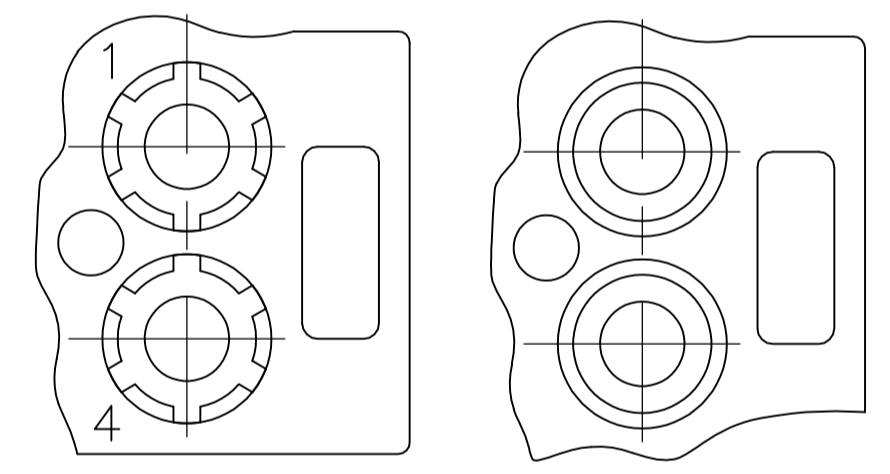
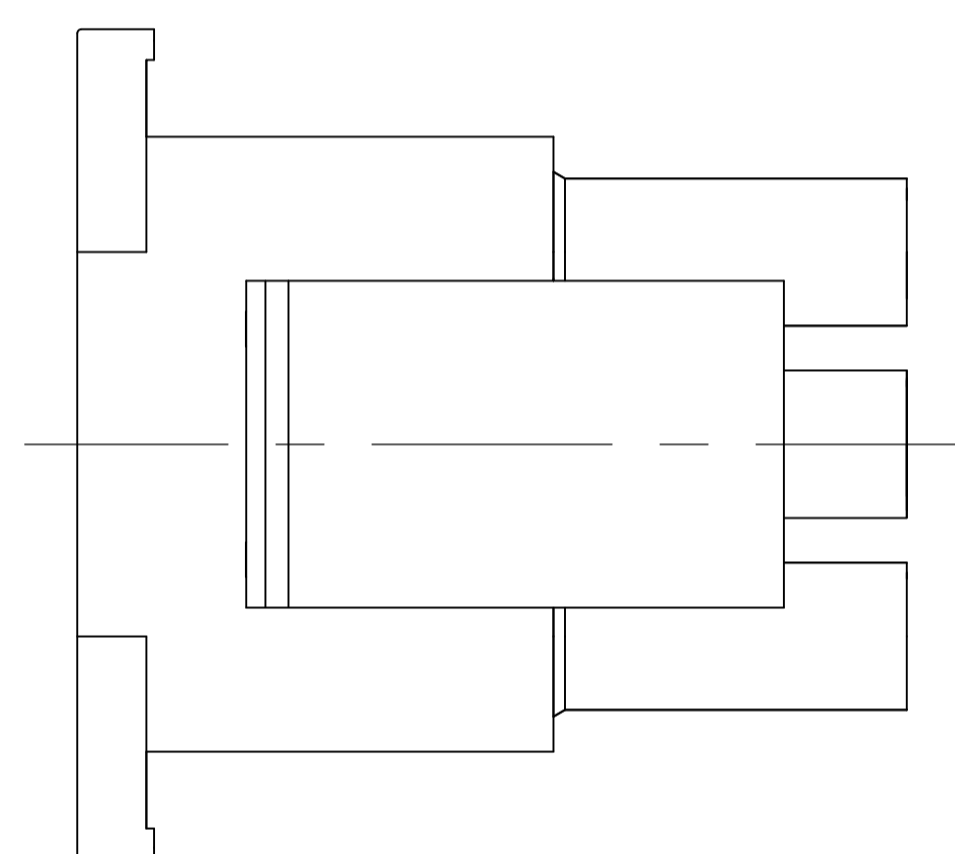
REVISIONS				
P	LTR	DESCRIPTION	DATE	APPV
Y4	REVISED PER	ECR-16-010081	22JUL2016	BW EW



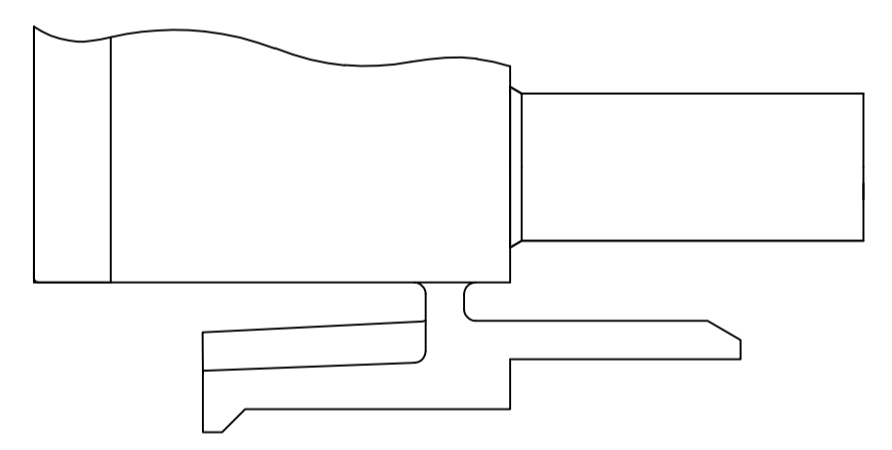
- 1 MATES WITH APPROPRIATE UNIVERSAL MATE-N-LOK CAP OR HEADER.
- 2 SMALL NICKS ARE PERMITTED ON THE CIRCUIT TOWERS WHICH COULD INCREASE THE INITIAL HOUSING MATING FORCE BY UP TO 4.4 NEWTONS [1.0 LBS]. NO INDIVIDUAL NICKED TOWER SHALL INCREASE THIS FORCE BY OVER 2.2 NEWTONS [.5 LBS].
- 3 DIMENSION INDICATED IS AS MOLDED. ADDITIONAL GROWTH DUE TO SUBSEQUENT MOISTURE ABSORPTION MAY OCCUR.
- 4 FOUR RIBS EQUALLY SPACED, NO SPECIFIC ORIENTATION. NO RIBS OR SIX RIBS EQUALLY SPACED, NO SPECIFIC ORIENTATION, OPTIONAL.
- 5 NOT MANUFACTURED IN U.S.
- 6 UNDERWRITERS RECOGNIZED COMPONENT LOGO AND CSA CERTIFICATION LOGO TO BE LOCATED ONCE EACH ON SIDE OF HOUSING.
- 7 MANUFACTURING LOCATION ID ON SIDE OF HOUSING (OPTIONAL).
- 8 TRADEMARK LOCATION (AMP OR TE CONNECTIVITY).



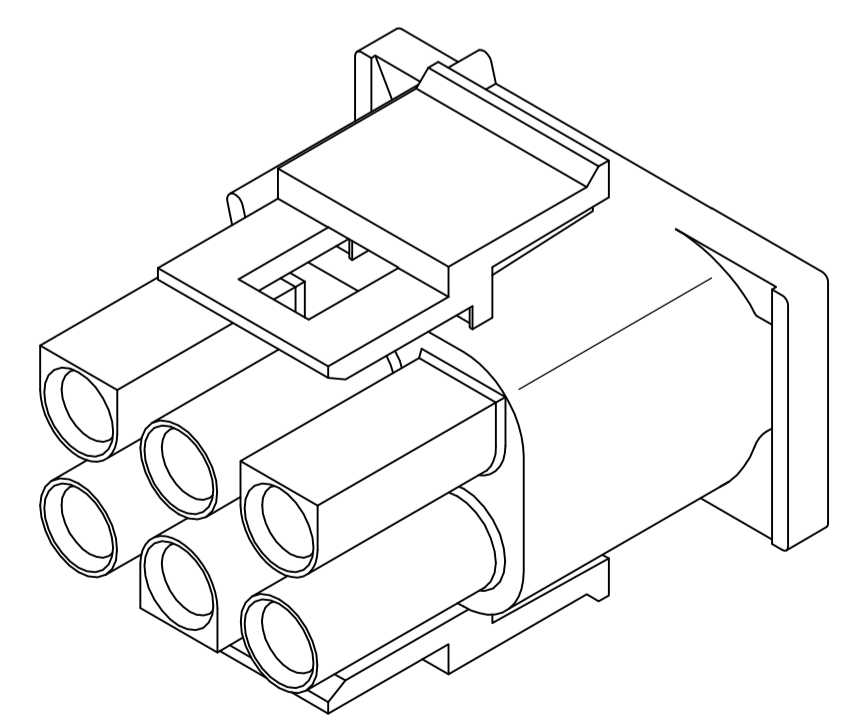
VIEW A-A
350715-4 ONLY



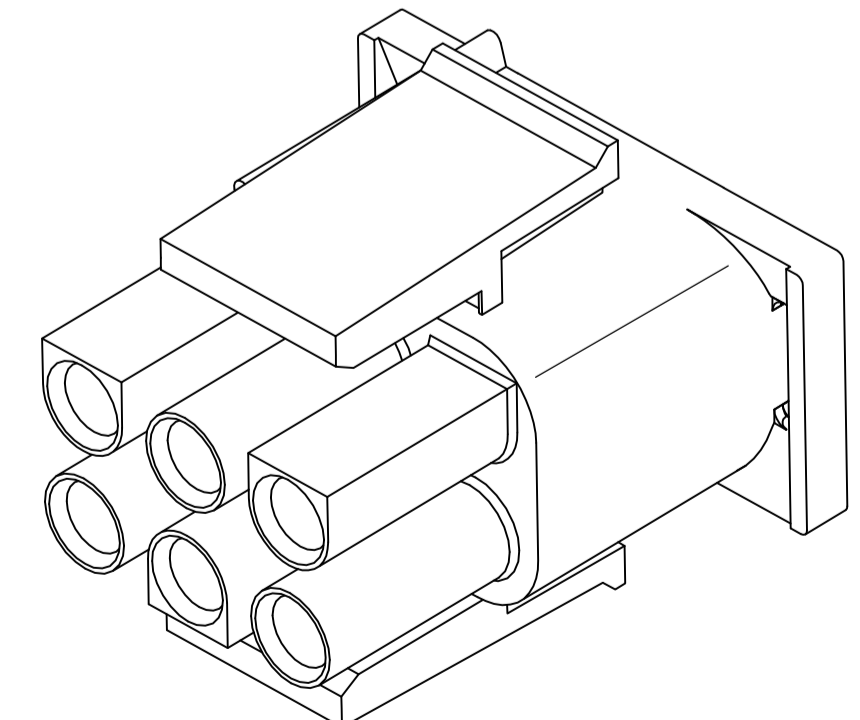
DETAIL A
OPTIONAL CONSTRUCTION



DETAIL B
350715-4 ONLY



350715-4 3-DIMENSIONAL MODEL
NTS



3-DIMENSIONAL MODEL
NTS

BLACK	1-350715-9
GRAY	1-350715-8
BLUE	1-350715-6
GREEN	1-350715-5
YELLOW	1-350715-4
ORANGE	1-350715-3
RED	1-350715-2
BROWN	1-350715-1
	350715-4
NATURAL	350715-1
COLOR	PART NUMBER

THIS DRAWING IS A CONTROLLED DOCUMENT.		DIN S. HOOVER 14APR04		TE Connectivity																																	
DIMENSIONS: mm [INCHES]		TOLERANCES UNLESS OTHERWISE SPECIFIED:																																			
<table border="1"> <tr> <td>0. PLC</td> <td>±</td> <td>-</td> </tr> <tr> <td>1. PLC</td> <td>±</td> <td>-</td> </tr> <tr> <td>2. PLC</td> <td>±</td> <td>0.13 [.005]</td> </tr> <tr> <td>3. PLC</td> <td>±</td> <td>-</td> </tr> <tr> <td>4. PLC</td> <td>±</td> <td>-</td> </tr> <tr> <td>ANGLES</td> <td>±</td> <td>-</td> </tr> </table>		0. PLC	±	-	1. PLC	±	-	2. PLC	±	0.13 [.005]	3. PLC	±	-	4. PLC	±	-	ANGLES	±	-	<table border="1"> <tr> <td>APVD S. RIDGILL 14APR04</td> <td>NAME</td> </tr> <tr> <td>PRODUCT SPEC</td> <td></td> </tr> <tr> <td>APPLICATION SPEC</td> <td></td> </tr> </table>		APVD S. RIDGILL 14APR04	NAME	PRODUCT SPEC		APPLICATION SPEC		<table border="1"> <tr> <td>SIZE</td> <td>CAGE CODE</td> <td>DRAWING NO</td> <td>RESTRICTED TO</td> </tr> <tr> <td>A1</td> <td>00779</td> <td>350715</td> <td></td> </tr> </table>		SIZE	CAGE CODE	DRAWING NO	RESTRICTED TO	A1	00779	350715	
0. PLC	±	-																																			
1. PLC	±	-																																			
2. PLC	±	0.13 [.005]																																			
3. PLC	±	-																																			
4. PLC	±	-																																			
ANGLES	±	-																																			
APVD S. RIDGILL 14APR04	NAME																																				
PRODUCT SPEC																																					
APPLICATION SPEC																																					
SIZE	CAGE CODE	DRAWING NO	RESTRICTED TO																																		
A1	00779	350715																																			
MATERIAL NYLON, UL 94V-0		FINISH -		CUSTOMER DRAWING																																	
		SCALE 4:1		SHEET 1 OF 1 REV Y4																																	