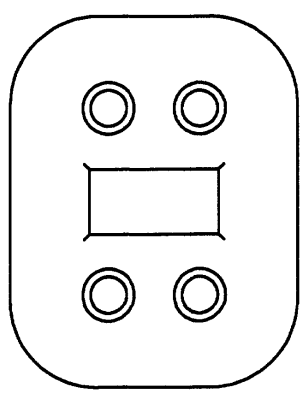
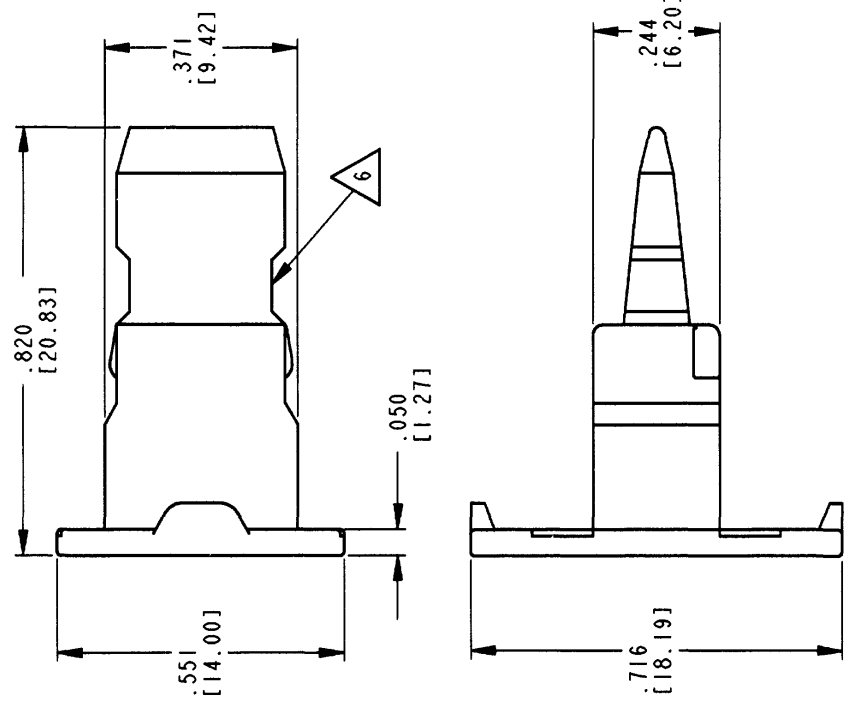


REV		W4S-P012		REVISIONS	
SYM	DESCRIPTION	DATE	APPROVED	SYM	DESCRIPTION
NC	NEW RELEASE PER E.O. P15146	2/17/97	R.D.R.		
A	REVISED PER E.O. P18199	6/30/03	R.D.R.		
B	REVISED PER E.O. P19968	11-17-08	<i>RDS</i>		



△ CUTOUT FEATURE OPTIONAL, 2 PLACES.

- 5. MATERIAL: PLASTIC; COLOR: GREEN
- 4. W4S-P012 WEDGE IS USED WITH DT04-4S-P012.
- 3. CONSULT FACTORY FOR APPLICATION.
- 2. DIMENSIONS ARE ±.025[.64] UNLESS OTHERWISE SPECIFIED.
- 1. ALL DIMENSIONS ARE IN INCHES (MILLIMETERS).

NOTES:

SIGNATURE & DATE		EP		MATERIAL CODE	
DR	H. TRAN NOV-20-96	WEDGE LOCK FOR 4 CONTACT PLUG DT SERIES		3850 INDUSTRIAL AVE. HEMET, CA 92545	
CHK	<i>R. Tran</i> 11/14/08	4 CONTACT PLUG DT SERIES		DEUTSCH INDUSTRIAL	
PE	<i>R. Tran</i> 11/13/08	ENVELOPE		B W4S-P012	
APPD	<i>S. Amel</i> 11-13-08	SCALE 4:1		CODE 11139	
SCALE 4:1		WT		SHEET OF	