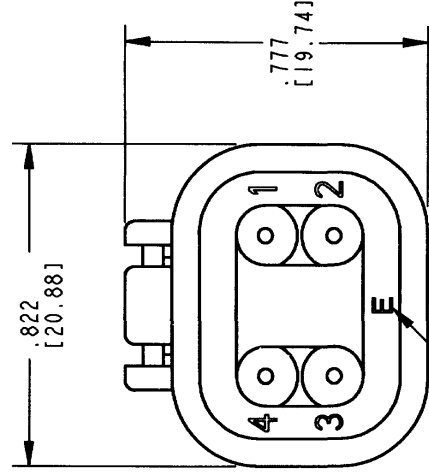
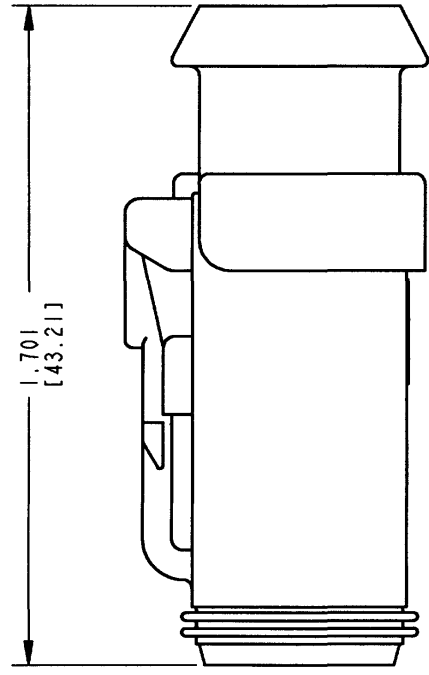


REV		DT06-4S-CE13	
SYM	DESCRIPTION	DATE	APPROVED
NC	NEW RELEASE PER E.O. P18226	8-6-03	RDR

REV	DT06-4S-CE13
NC	



E - SYMBOL DESIGNATES REDUCED WIRE SEAL

DATE CODE: YEAR TO BE REPRESENTED BY LAST NUMERICAL DIGIT. EX: 3 = 2003. MONTH USES SEQUENTIAL ALPHA CHARACTERS. EX: A = JANUARY.

CONTACT SIZE	MIN. INSUL. O.D.	MAX. INSUL. O.D.	WIRE RANGE [mm <sup>2</sup> ] REF ONLY
16	.053 [1.35]	.120 [3.05]	14-20 AWG [2.0-0.5]

- MATERIAL: SHELL: PLASTIC; SEAL: RUBBER
- THIS PLUG MATES WITH THE DT04-4P-\*\*\*\* RECEPTACLE. (\*\*\*\* = ALL MODIFICATIONS) CONSULT FACTORY FOR MODIFICATIONS.
- FOR CONTACTS AND WIRE PERFORMANCE AND CHARACTERISTICS, SEE ENVELOPE DRAWINGS 0425-015-0000 AND 0425-017-0000.
- ALL DIMENSIONS ARE ±.025[.64] UNLESS OTHERWISE SPECIFIED.
- ALL DIMENSIONS ARE IN INCHES [MILLIMETERS].

DR	X. SANCHEZ 20 JUN 03
CHK	Janis C. Spartz 8/5/03
PE	Steph. J. ... 8/10/03
APPD	Steph. J. ... 8-6-03
SCALE	NONE
WT	

4 WAY PLUG  
-CE13 MOD.  
COLOR: BLACK  
DT SERIES

**The Deutsch Company**  
DEUTSCH I. P. D.  
3850 INDUSTRIAL AVE.  
HENET, CALIF. 92545

**B DT06-4S-CE13**

CP  
MIL CODE  
11139  
SHEET 1 OF 1

ENVELOPE