

Receptacle Contacts

Technical Features

Material

Contact: CuNiSi
Pin Contact: Copper-Alloy
Cantilever Spring: Stainless Steel

Contact Finish:

Pre-tin plated, silver plated,
gold plated

Conductor Binding:

Crimp Technology/Insulation
Displacement/FFC/Welding Area

Wire Size Range:

0.14–0.75 mm² Single
Wires (FLR)/AWG 18–22

Current Carrying Capacity:

Up to 7.5 A at 80 °C

Temperature Range:

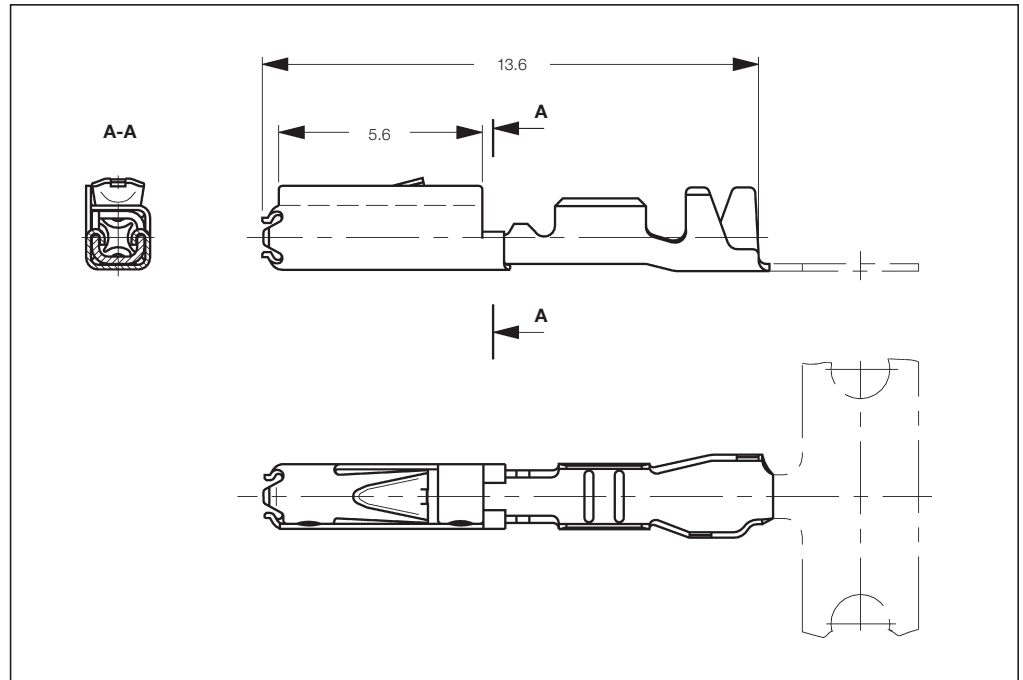
–40 °C ... +120 °C (tin plated)
–40 °C ... +130 °C (silver plated)
–40 °C ... +140 °C (gold plated)

Centerline:

2.54 x 2.54 mm Standard
4.0 x 4.0 mm SWS Standard
4.0 x 3.5 mm SWS Staggered

Mating Cycles:

20 tin plated
20 silver plated
100 gold plated



Special Applications:

Inmoldable Pin Contact,
Insulation Displacement
Receptacle Contact,
Receptacle Contact with
Short Circuit Area

Table Drawings:

929454 (Receptacle Contact)
929453 (Pin Contact)

Application Specification:

114-18021 Standard
114-18025 SWS System

Product Specification:

108-18030

Extraction Tools:

Part No. **6-1579007-0** Clean Body
Part No. **6-1579007-1** Standard or
Part No. **1355968-1**

Standard Receptacle Contacts

Wire Size Range (mm ²)	Insulation Diameter		Material and Finish	Part Numbers				Applicator		Hand Tool 539635-1 with Die Set
	FLK (mm)	FLR (mm)		Strip Form	Package Quantity	Loose-Piece	Package Quantity	Standard	Fine Adjust	
0.14–0.22	–	0.9–1.2	pre-tin plated	1355717-1	13,000	1355718-1	500	1426402	1528009	5-1579001-2
			gold plated	1355717-5	13,000	1355718-5	500			
0.20–0.50	–	0.9–1.6	pre-tin plated	928999-1	13,000	963726-1	1,000	1238043*	1528035*	539682-2
			gold plated	928999-5	13,000	963726-5	1,000			
			silver plated	928999-6	13,000	963726-6	1,000			
0.50–0.75	–	1.4–1.9	pre-tin plated	963715-1	10,000	963729-1	500	1238051	1528037	3-1579001-5
			gold plated	963715-5	10,000	963729-5	500			
			silver plated	963715-6	10,000	963729-6	500			

*) Applicator: Part No. **1426459** and **1528313** for use with 0.2 mm² wire

Single Wire Sealing System

Wire Size Range (mm ²)	Insulation Diameter		Material and Finish	Part Numbers				Applicator		Hand Tool 539635-1 with Die Set
	FLK (mm)	FLR (mm)		Strip Form	Package Quantity	Loose-Piece	Package Quantity	Standard	Fine Adjust	
0.20–0.50	–	0.9–1.6	pre-tin plated	962885-1	9,000	963727-1	500	1426108	1528022	539685-2
			gold plated	962885-5	9,000	963727-5	500			
			silver plated	962885-6	9,000	963727-6	500			
0.50–0.75	–	1.4–1.9	pre-tin plated	965906-1	9,000	965907-1	500	1426123	1528071	5-1579001-1
			gold plated	965906-5	9,000	965907-5	500			
			silver plated	965906-6	9,000	965907-6	500			

Receptacle Contacts (continued)

MQS Receptacle Contacts with Short Circuit Area

Wire Size Range (mm ²)	Insulation Diameter		Material and Finish	Part Numbers						
	FLK (mm)	FLR (mm)		Strip Form	Package Quantity	Loose-Piece	Package Quantity	Applicator		Hand Tool 539635-1 with Die Set
								Standard	Fine Adjust	
0.20-0.50	-	0.9-1.6	gold plated	968893-1	13,000	1355988-1	500	1238043*	1528035*	539682-2
0.50-0.75	-	1.4-1.9	gold plated	1452013-1	10,000	1452014-1	500	1238051	1528037	3-1579001-5

*) Applicator: Part No. **1426459** and **1528313** for use with 0.2 mm² wire

MQS Clean Body Receptacle Contacts with Short Circuit Area

Wire Size Range (mm ²)	Insulation Diameter		Material and Finish	Part Numbers						
	FLK (mm)	FLR (mm)		Strip Form	Package Quantity	Loose-Piece	Package Quantity	Applicator		Hand Tool 539635-1 with Die Set
								Standard	Fine Adjust	
0.20-0.50	-	0.9-1.6	gold plated	1241918-1	13,000	1241919-1	500	1238043*	1528035*	3-1579001-5
0.50-0.75	-	1.4-1.9	gold plated	1241920-1	10,000	1241921-1	500	1238051	1528037	3-1579001-5

*) Applicator: Part No. **1426459** and **1528313** for use with 0.2 mm² wire

MQS Clean Body Receptacle Contacts

Wire Size Range (mm ²)	Insulation Diameter		Material and Finish	Part Numbers						
	FLK (mm)	FLR (mm)		Strip Form	Package Quantity	Loose-Piece	Package Quantity	Applicator		Hand Tool 539635-1 with Die Set
								Standard	Fine Adjust	
0.20-0.50	-	0.9-1.6	pre-tin plated	968220-1	12,000	968220-7	500			
			gold plated	968220-5	12,000	968220-8	500	1238043*	1528035*	539682-2
			silver plated	968220-6	12,000	968220-9	-			
0.50-0.75	-	1.4-1.9	pre-tin plated	968221-1	10,000	968221-7	500			
			gold plated	968221-5	10,000	968221-8	500	1238051	1528037	3-1579001-5
			silver plated	968221-6	10,000	968221-9	-			

*) Applicator: Part No. **1426459** and **1528313** for use with 0.2 mm² wire

MQS Flexible Flat Cable (FFC) Receptacle Contacts

Wire Size Range* (mm ²)	Insulation Diameter*		Material and Finish	Part Numbers						
	FLK (mm)	FLR (mm)		Strip Form	Package Quantity	Loose-Piece	Package Quantity	Applicator		Hand Tool
								Standard	Fine Adjust	
-	-	-	pre-tin plated	929387-1	12,500	929388-1	500	-	-	-
-	-	-	pre-tin plated	968987-1**	14,000	968988-1	500	-	-	-

*) Depending on Foil

***) Special Application: Short Components

Insertion and Extraction Tools are available upon request.

They depends on the number of positions and the housing version.

MQS Insulation Displacement Connection (IDC) Receptacle Contacts

Wire Size Range (mm ²)	Insulation Diameter		Material and Finish	Part Numbers						
	FLK (mm)	FLR (mm)		Strip Form	Package Quantity	Loose-Piece	Package Quantity	Applicator		Hand Tool
								Standard	Fine Adjust	
0.35-0.50	-	1.2-1.6	pre-tin plated	968065-1	10,000	-	-	-	-	-

Receptacle Contacts (continued)

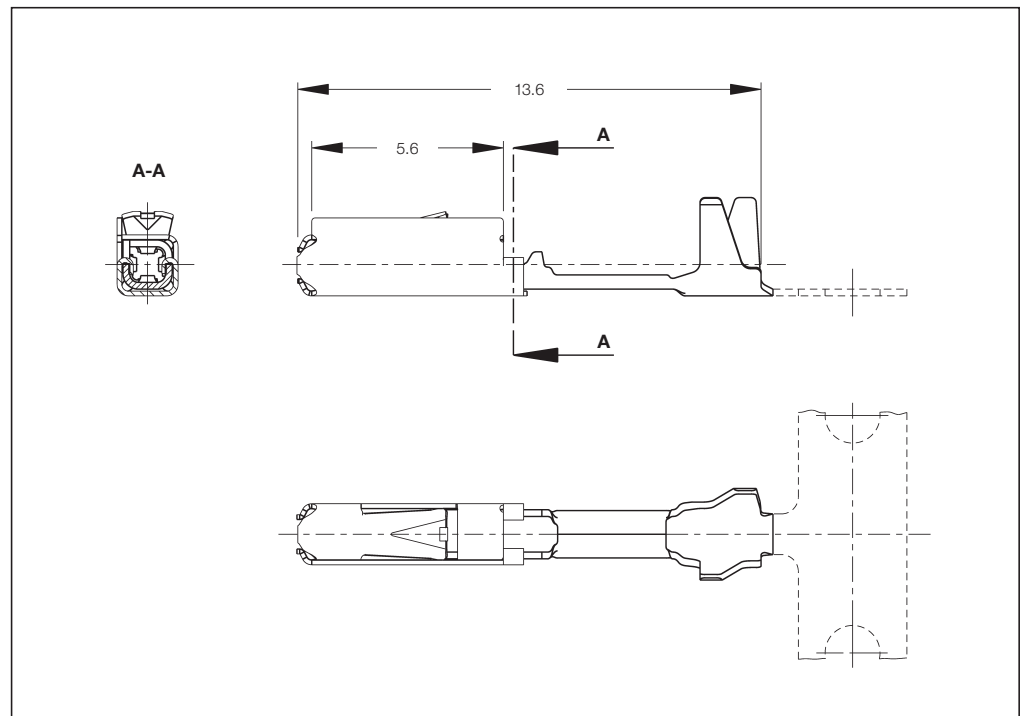
MQS Clean Body Receptacle Contacts with Single Wire Sealing System

Wire Size Range		Insulation Diameter (mm)	Material and Finish	Part Numbers				Applicator	Hand Tool
(mm ²)	(AWG)			Strip Form	Package Quantity	Loose-Piece	Package Quantity		
0.50–0.75	–	1.4–2.0	pre-tin plated	1703032-1	8,500	1703033-1	–	–	–
			gold plated	1703032-5	8,500	1703033-5	–		

MQS Clean Body Receptacle Contacts for AWG

Wire Size Range		Insulation Diameter (mm)	Material and Finish	Part Numbers				Applicator	Hand Tool
(mm ²)	(AWG)			Strip Form	Package Quantity	Loose-Piece	Package Quantity		
0.79–1.00	18	1.4–2.0	pre-tin plated	1719532-1	10,000	1719533-1	–	1528929	–
			gold plated	1719532-5	10,000	1719533-5	–		
0.32–0.52	20+22	1.50–1.85	pre-tin plated	1719545-1	10,000	–	–	–	–
			gold plated	1719545-5	10,000	–	–		

MQS Receptacle Contacts with Welding Area



Wire Size Range		Insulation Diameter (mm)	Material and Finish	Part Numbers				Applicator	Hand Tool
(mm ²)	(AWG)			Strip Form	Package Quantity	Loose-Piece	Package Quantity		
0.35–0.75	–	1.2–1.9	pre-tin plated	1719180-1	10,000	1719181-1	–	–	–