

Part number

CAO 06 L29



Brief description:

hoods for single lever, size "44.27", side entry, Pg29, metal version, IP66

Product description

Version	C-TYPE
Series	hood
Product type	with 2 pegs
Variant	side cable entry
Style	high construction
Family	CLASS enclosures
Size	size "44.27"

Technical data

Operating temperature range (min, max)	-40 °C...+125 °C
Material	metal
IP degree of protection	IP66 (and IP69 DIN 40050 - 9)
Cable entry	Pg29

Further technical details

Weight	192,00 g
---------------	----------

Approvals / Standards

Quality mark	UL (type:4/4X/12), CE, EAC
Conformity	CQC, CE

General ordering information

EAN13 code	8015747006088
-------------------	---------------

Packaging Information

Packaging length	260,00 mm
Packaging height	100,00 mm
Packaging width	150,00 mm
Packaging weight	2,00 kg
Packaging volume	3,90 dm ³
Packaging description	Carton box
Packaging quantity	10 Pcs
Packaging EAN code	8015747215428
Sub-packaging weight	1,00 kg
Sub-packaging description	Plastic packaging
Sub-packaging quantity	5 Pcs
Sub-packaging EAN barcode	8015747006095

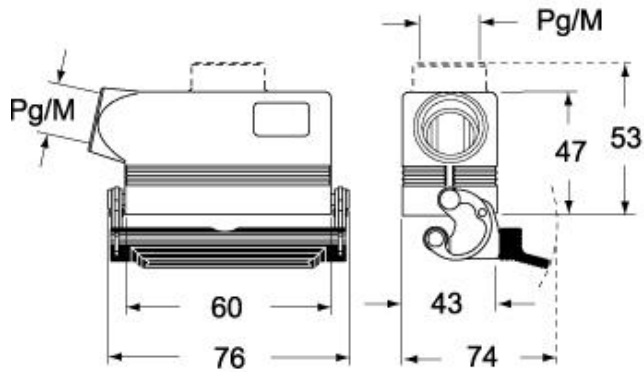
Part number

CAO 06 L29

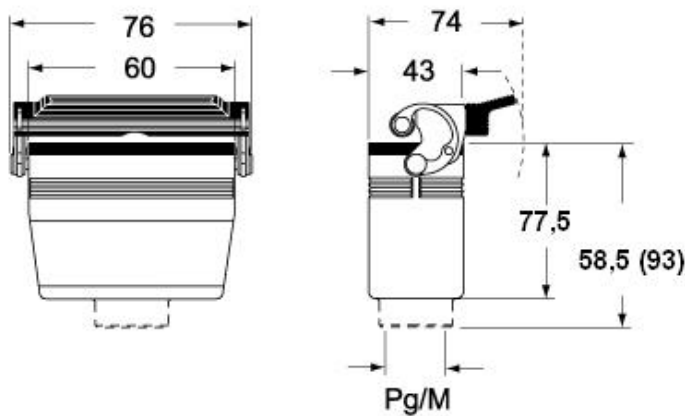


Catalogue drawings

CHO LX CHV LX - MHO LX MHV LX



CHV LG (CAV LG), MHV LG (MAV LG) [MFV LG]



CHO L (CAO L) - MHO (MAO/MFO/MFV L) MHV L [MAV L]

