

180° Receptacle Contacts

Technical Features

Wire Size Range:

0.5 to 1.5 mm²
2.5 to 4.0 mm²
4.0 to 6.0 mm²

Current Carrying Capacity:

up to 25 A

Insertion Force:

approx. 27 N

Extraction Force, Latch Release Ineffective:

approx. 7 N

Material Thickness:

0.4 mm

Extraction Force, Latch Release Effective:

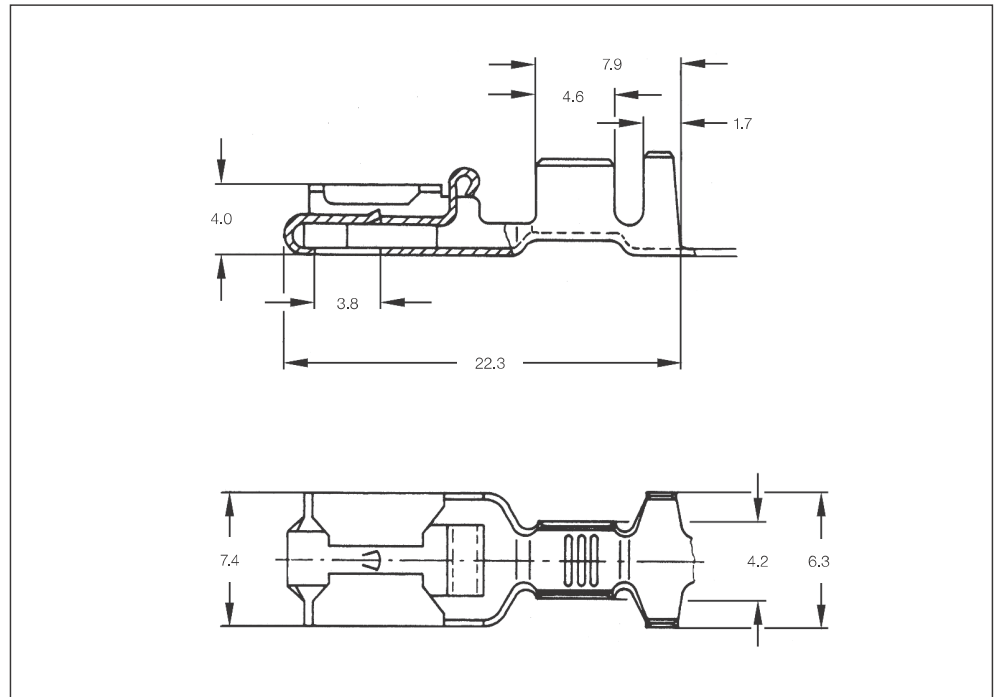
≥ 100 N (without vibration)

Contact Material:

Brass or phosphor bronze

Contact Finish:

plain, tin plated, nickel plated or silver plated



Special Materials and Finishes
available on request.

Pneumatic Tooling Machine:
Part No. **656055-1**

Crimping Head:
Part No. **656080-1** (for Wire Size Range 0.5–1.5 and 2.5–4.0 mm²)

180° Receptacle Contacts

Wire Size Range	Insulation Diameter		Material and Finish	Part Numbers				Applicator *	Hand Tool
	FLK	FLR		Strip Form	Package Quantity	Loose-Piece	Package Quantity		
mm ² (AWG)	mm (Inch)	mm (Inch)							
0.5–1.0 (20–17)	2.0–3.3 (.079–.130)	–	CuZn, plain	927867-1	1,500	927868-1	–	on request	734372-1 with Die 734384-1
			CuSn, plain	927867-2	1,500	927868-2	–		
			CuZn, pre-tin plated	927867-6	1,500	927868-6	500		
			CuSn, pre-tin plated	927867-7	1,500	927868-7	–		
			CuSn, silver plated	927867-8	1,500	927868-8	–		
			CuZn, silver plated	927867-9	1,500	927868-9	–		
0.5–1.0 (20–17)	–	1.4–2.3 (.055–.091)	CuZn, plain	927852-1	1,500	927853-1	1,300	1528098	2063527-1
			CuSn, plain	927852-2	1,500	927853-2	1,300		
			CuZn, pre-tin plated	927852-6	1,500	927853-6	500		
			CuSn, pre-tin plated	927852-7	1,500	927853-7	1,300		
			CuSn, silver plated	927852-8	1,500	927853-8	1,500		
			CuZn, silver plated	927852-9	1,500	927853-9	–		
0.5–1.5 (20–15)	2.3–3.3 (.091–.130)	–	CuZn, plain	160759-1	1,500	160773-1	500	1528000	654174-1
			CuSn, plain	160759-2	1,500	160773-2	500		
			CuZn, tin plated	160759-3	1,500	160773-3	500		
			CuSn, tin plated	160759-4	1,500	160773-4	500		
			CuZn, pre-tin plated	1-160759-1	1,500	160773-6	500		
			CuSn, pre-tin plated	1-160759-2	1,500	160773-7	500		

* Applicators are application specific, consult TE Connectivity for details.

180° Receptacle Contacts (continued)

180° Receptacle Contacts

Wire Size Range	Insulation Diameter		Material and Finish	Part Numbers				Applicator ♦	Hand Tool
	FLK	FLR		Strip Form	Package Quantity	Loose-Piece	Package Quantity		
mm ² (AWG)	mm (Inch)	mm (Inch)							
0.7–2.0 (18–14)	2.4–3.2 (.095–.126)	–	CuZn, plain	154718-1	1,500	341002-1	500	1528010	525651-0
			CuSn, plain	154718-2	1,500	341002-2	500		
			CuSn, tin plated	154718-4	1,500	–	–		
			CuZn, pre-tin plated	154718-6	1,500	341002-6	500		
			CuSn, pre-tin plated	154718-7	1,500	341002-7	500		
1.0–2.5 (17–13)	2.7–4.0 (.106–.157)	–	CuZn, plain	927881-1	1,500	927882-1	–	on request	734372-1 with Die 734384-1
			CuSn, plain	927881-2	1,500	927882-2	–		
			CuZn, tin plated	927881-3	1,500	927882-3	–		
			CuSn, tin plated	927881-4	1,500	927882-4	–		
			CuSn, silver plated	927881-8	1,500	927882-8	1,200		
1.0–2.5 (17–13)	–	2.1–3.1 (.083–.122)	CuZn, plain	927854-1	1,500	927855-1	500	1528099	2063527-1
			CuSn, plain	927854-2	1,500	927855-2	–		
			CuZn, pre-tin plated	927854-6	1,500	927855-6	500		
			CuSn, pre-tin plated	927854-7	1,500	927855-7	500		
			CuSn, silver plated	927854-8	1,500	927855-8	500		
2.5–4.0 (13–11)	3.6–4.3 (.142–.170)	–	CuZn, plain	154717-1	1,500	341001-1	500	1528233	654174-1
			CuSn, plain	154717-2	1,500	341001-2	500		
			CuZn, tin plated	154717-3	1,500	341001-3	500		
			CuSn, tin plated	154717-4	1,500	–	–		
			CuZn, pre-tin plated	154717-6	1,500	–	–		
			CuSn, pre-tin plated	154717-7	1,500	–	–		
			CuSn, silver plated	154717-8	1,500	–	–		
2.5–4.0* (13–11)	3.3–4.7 (.130–.185)	–	CuZn, plain	928958-1	1,000	928959-1	–	1528485	2063571-1
			CuSn, plain	928958-2	1,000	928959-2	–		
			CuZn, pre-tin plated	928958-6	1,000	928959-6	–		
			CuSn, pre-tin plated	928958-7	1,300	928959-7	–		
			CuSn, silver plated	928958-8	1,000	928959-8	500		
4.0–6.0* (11–9)	4.0–5.3 (.157–.197)	–	CuZn, plain	928960-1	1,000	928961-1	–	1530127	2063571-1
			CuSn, plain	928960-2	1,000	928961-2	–		
			CuZn, pre-tin plated	928960-6	1,000	928961-6	500		
			CuSn, pre-tin plated	928960-7	1,000	928961-7	500		
			CuSn, silver plated	928960-8	1,000	928961-8	1,000		
4.0–6.0 (11–9)	3.4–5.1 (.134–.200)	–	CuZn, tin plated	790319-2	5,000	737015-2	–	1528526	525651-0
			CuZn, pre-tin plated	790319-3	1,250	737015-3	1,000		
			CuSn, plain	790319-4	1,250	737015-4	500		

*) FLR Wire for Double Amplitude

♦) Applicators are application specific, consult TE Connectivity for details.