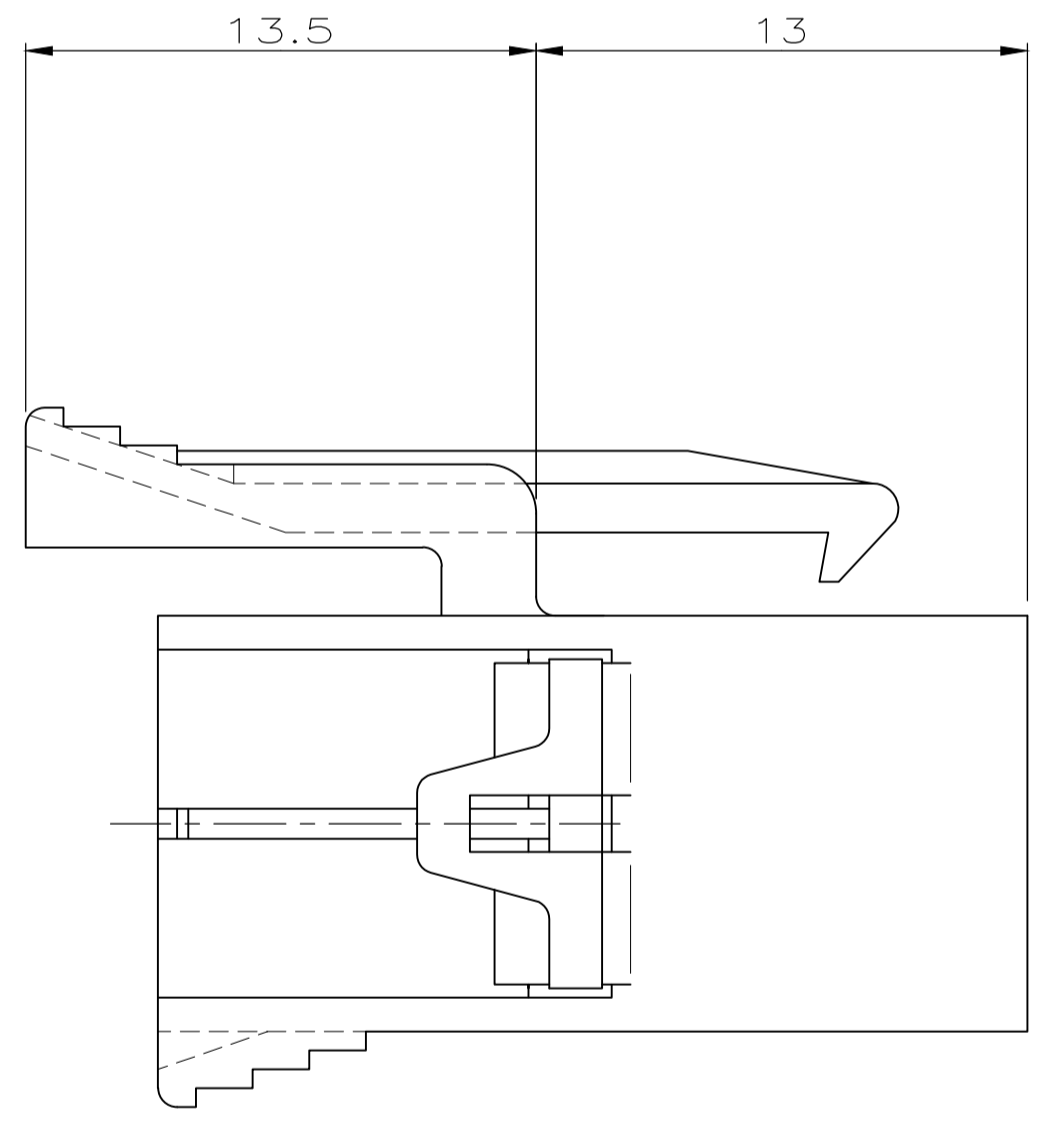
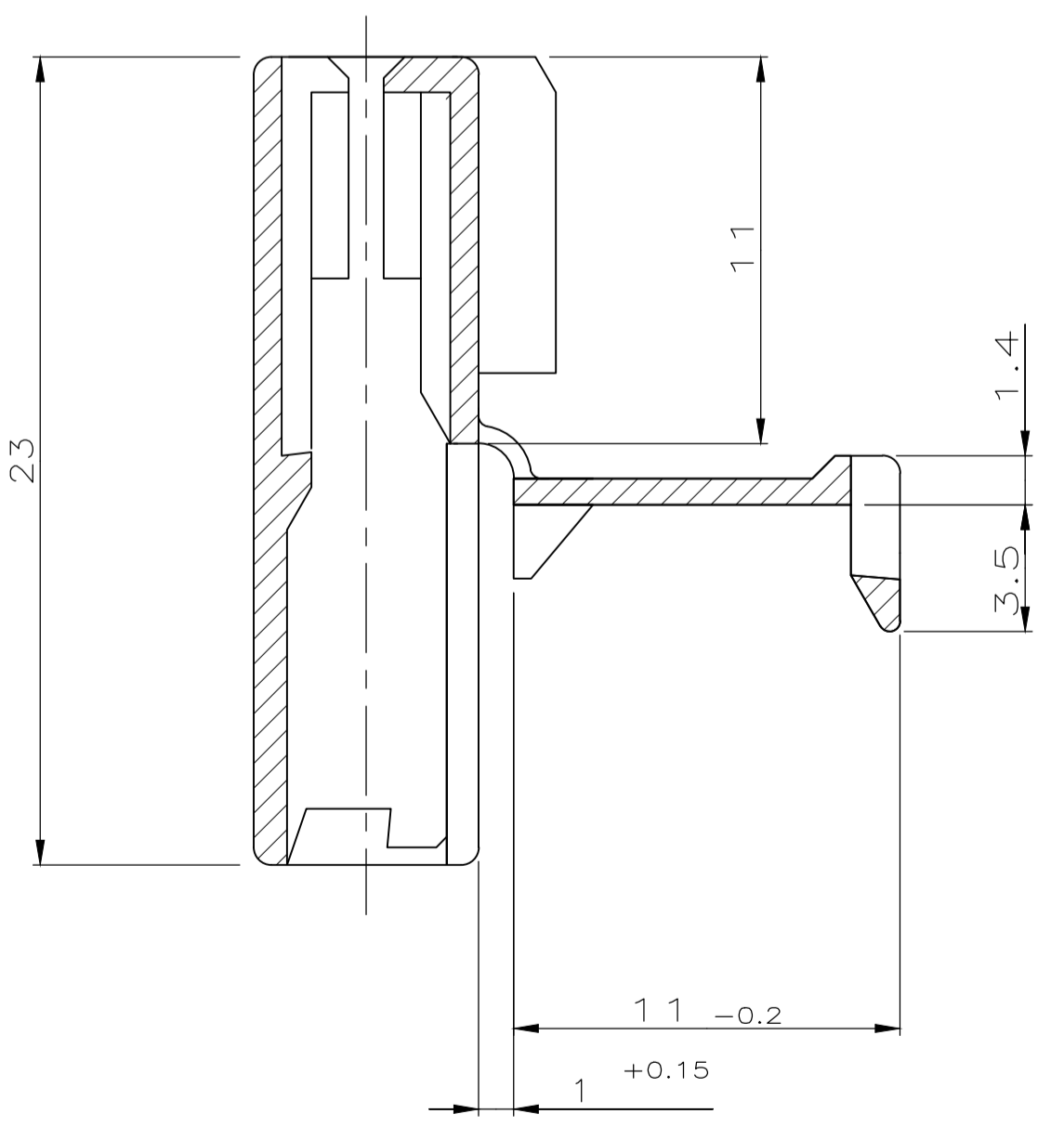
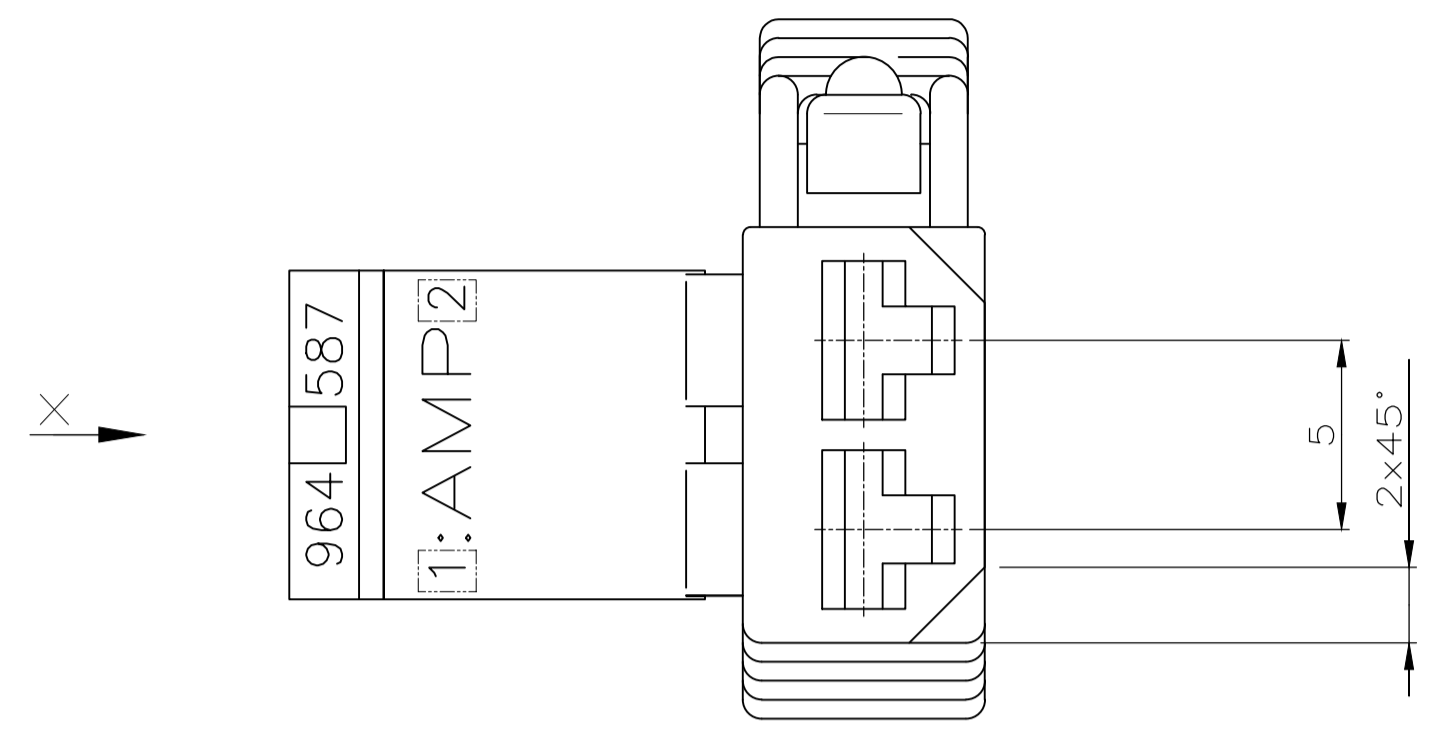
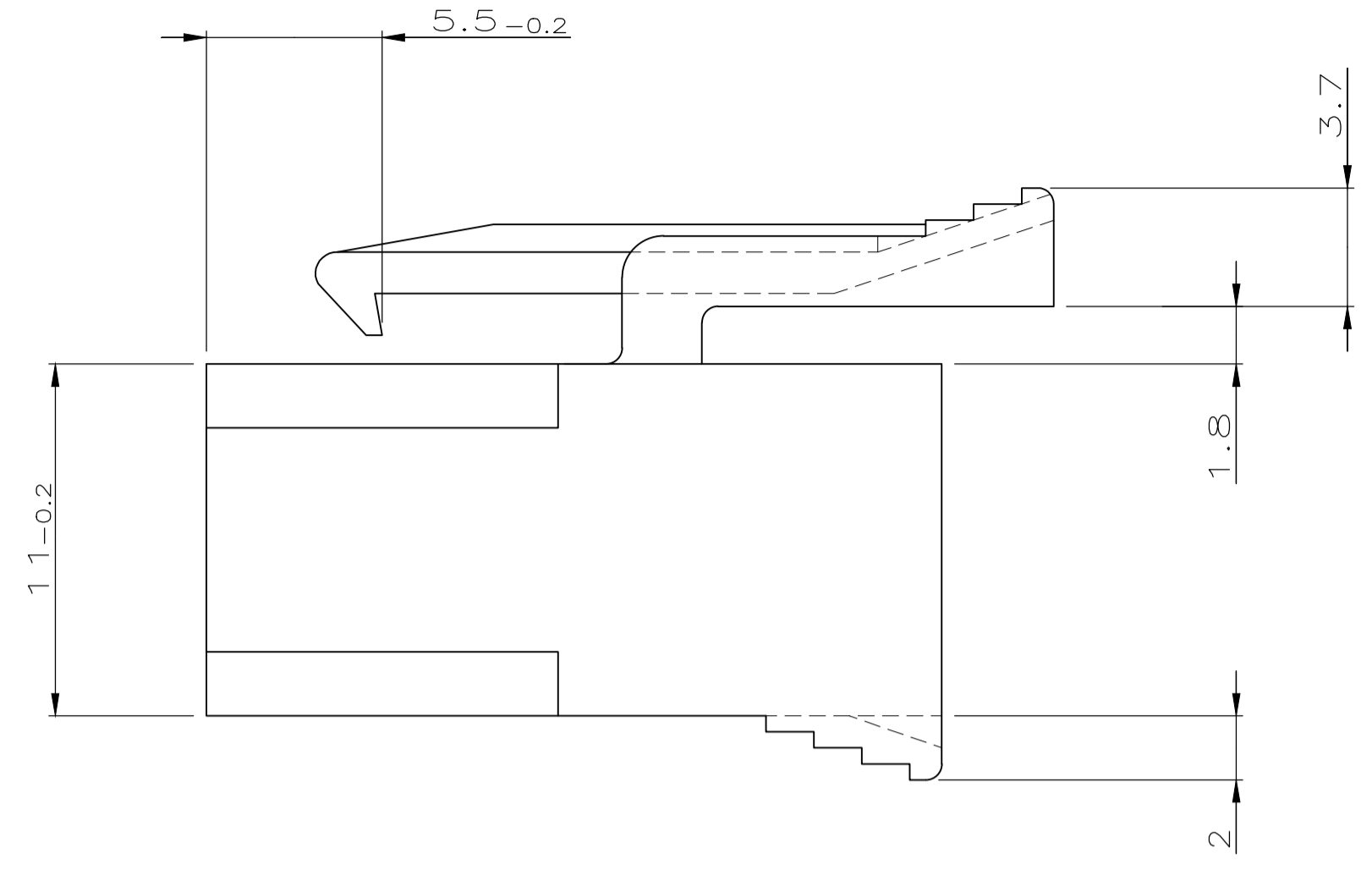
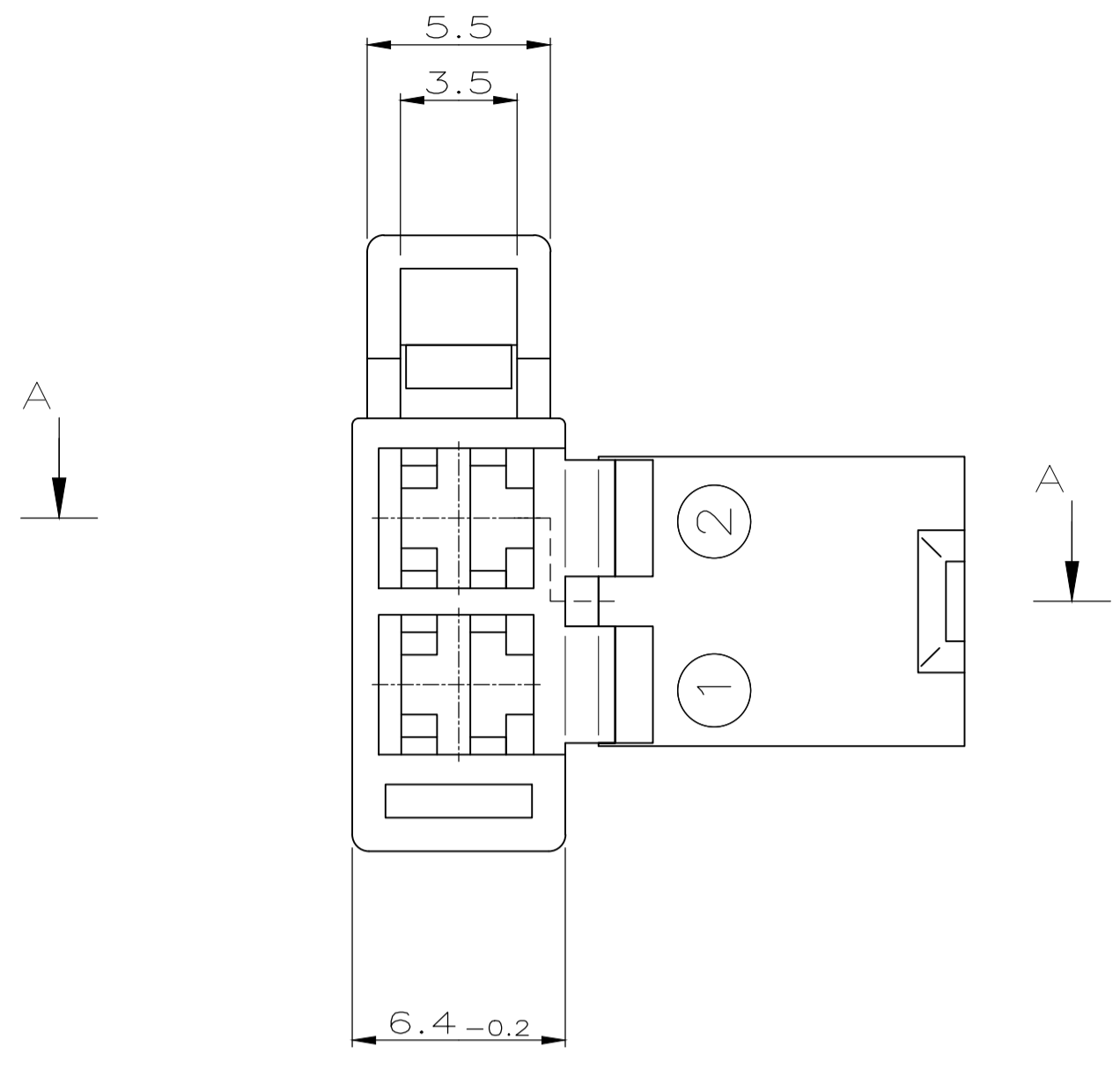


REVISIONS				
P	LTR	DESCRIPTION	DATE	DWN / APVD
B		BOM UPDATED WITH NEW MATERIAL	13JUN2019	JPN / MN



⊠

A-A

THIS DRAWING IS A CONTROLLED DOCUMENT.				DIN R. LIEBING 17MAR1993		TE Connectivity	
DIMENSIONS: mm				CHK R. NEBE 08APR1993		NAME	
TOLERANCES UNLESS OTHERWISE SPECIFIED:				APVD		PRODUCT SPEC	
0 FLC ± -				-		APPLICATION SPEC	
1 FLC ± -				-		-	
2 FLC ± 0.2				-		-	
3 FLC ± -				-		-	
4 FLC ± -				-		-	
ANGLES ± 1.0°				-		-	
FINISH				WEIGHT		RESTRICTED TO	
MATERIAL PA 66 (Zytel 409)				-		-	
OBERFLÄCHE FARBE				-		-	
964587-1				-		-	
BESTELL-NR.				POS.		STÜCK	
BENENNUNG EINZELTEIL				WERKSTOFF		SCALE 5:1 SHEET 1 OF 1 REV B	
2 pol. JPT-Geh.				PA66 (Zytel 409)		Schwarz	
MATERIAL PA 66 (Zytel 409)				FINISH		-	
CUSTOMER DRAWING				SIZE A1		CAGE CODE 00779	
DRAWING NO. 964587				DRAWING NO. 964587		DRAWING NO. 964587	