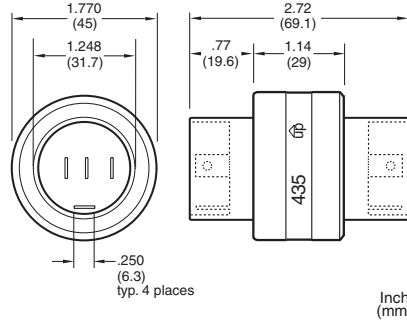


4, 6 & 8 CONDUCTORS

Model 435

MODEL NO.	CONDUCTORS	DESCRIPTION	VOLTAGE AC/DC	AMP RATING AT 500 VAC	MAX FREQ. MHz	CONTACT RESISTANCE	MAX OP. RPM	TEMPERATURE Max. F (C) / Min.F (C)	ROTATION Torque (gm-cm)	CIRCUIT SEPARATION
435	4	High Voltage Model	0-500	30	100	<1m?	300	140(60)/-20(-29)	850	>50M?
435-SS	4	High Voltage Stainless Steel Bearing	0-500	30	100	<1m?	300	140(60)/-20(-29)	850	>50M?



Accessories

55250
Terminal 16-14 AWG
(qty. 4 included)

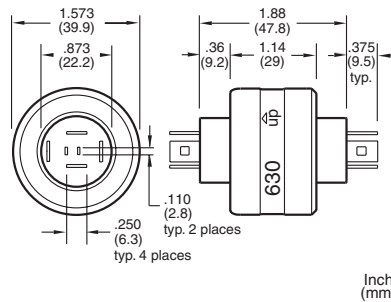
55251
Terminal 16-14 AWG
(qty. 4 included)

57435
Boot Kit
For dust and splash protection
IP51

Terminals for other wire gauges available.

Model 630

MODEL NO.	CONDUCTORS	DESCRIPTION	VOLTAGE AC/DC	AMP RATING AT 240 VAC	MAX FREQ. MHz	CONTACT RESISTANCE	MAX OP. RPM	TEMPERATURE Max. F (C) / Min.F (C)	ROTATION Torque (gm-cm)	CIRCUIT SEPARATION
630	6	Standard Model	0-250	2 @ 4/4 @ 30	100	<1m?	300	140(60)/-20(-29)	700	>25M?
630-SS	6	Stainless Steel Bearing	0-250	2 @ 4/4 @ 30	100	<1m?	300	140(60)/-20(-29)	700	>25M?



Accessories

55110
Terminal 22-18 AWG
(qty. 4 included)

55253
Shrink Tube
(qty. 4 included)

55252
Terminal 16-14 AWG
(qty. 4 included)

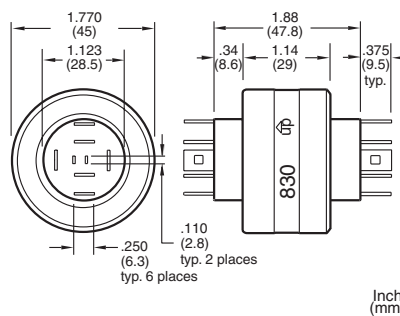
55251
Terminal 16-14 AWG
(qty. 4 included)

57630
Boot Kit
For dust and splash protection
IP51

Terminals for other wire gauges available.

Model 830

MODEL NO.	CONDUCTORS	DESCRIPTION	VOLTAGE AC/DC	AMP RATING AT 240 VAC	MAX FREQ. MHz	CONTACT RESISTANCE	MAX OP. RPM	TEMPERATURE Max. F (C) / Min.F (C)	ROTATION Torque (gm-cm)	CIRCUIT SEPARATION
830	8	Standard Model	0-250	2 @ 4/6 @ 30	100	<1m?	200	140(60)/-20(-29)	1000	>25M?
830-SS	8	Stainless Steel Bearing	0-250	2 @ 4/6 @ 30	100	<1m?	200	140(60)/-20(-29)	1000	>25M?



Accessories

55110
Terminal 22-18 AWG
(qty. 4 included)

55253
Shrink Tube
(qty. 6 included)

55252
Terminal 16-14 AWG
(qty. 6 included)

55251
Terminal 16-14 AWG
(qty. 6 included)

57830
Boot Kit
For dust and splash protection
IP51

Terminals for other wire gauges available.

To Order Call: 760-431-7723 