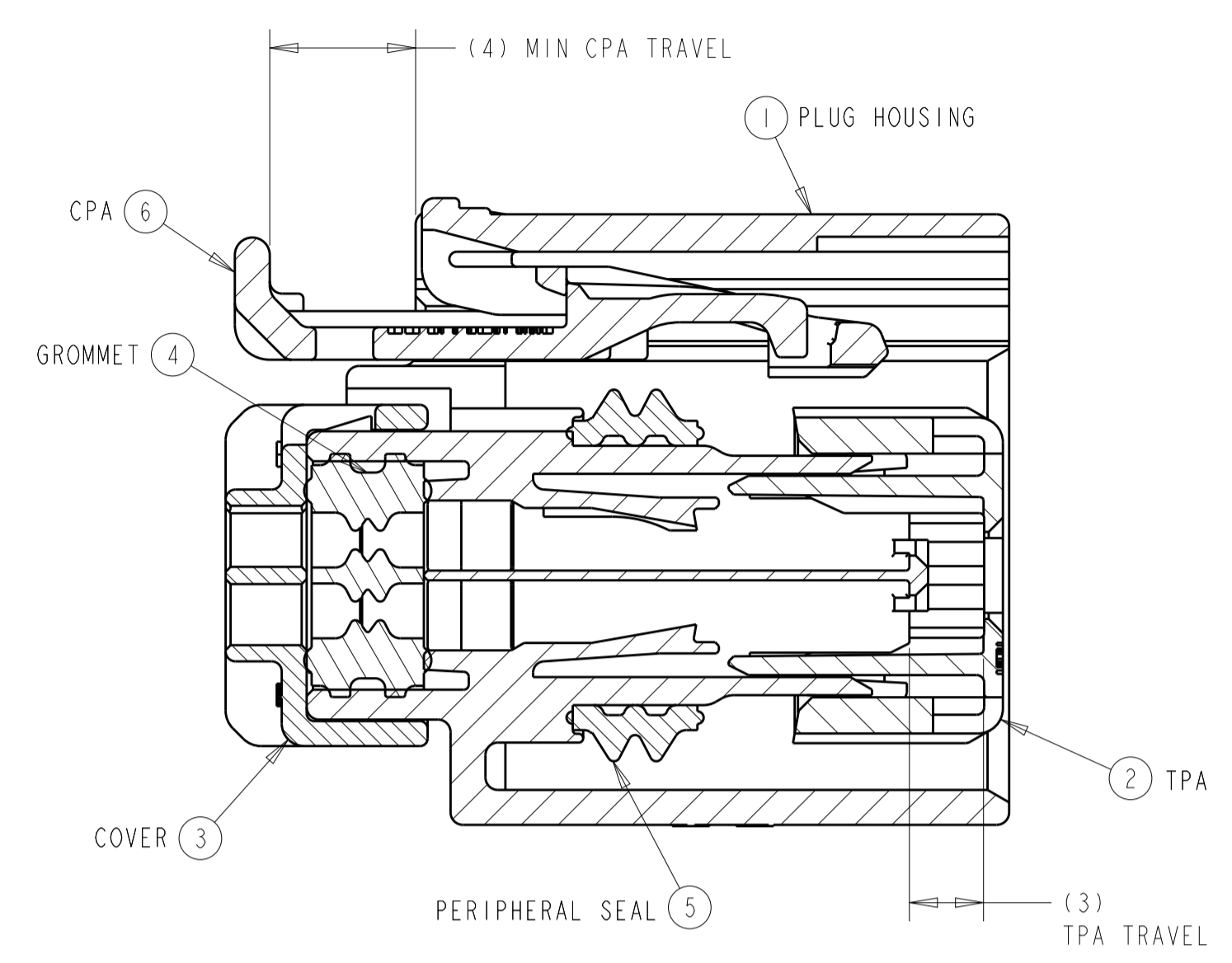
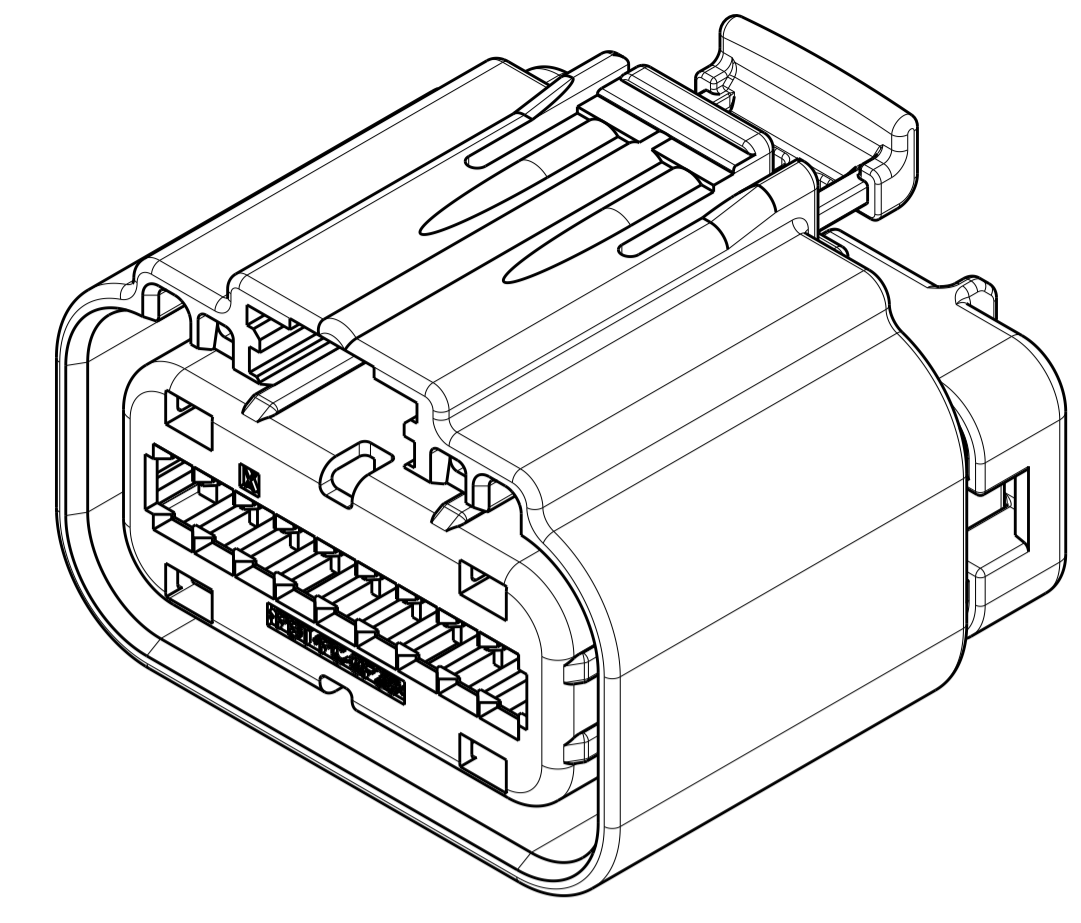
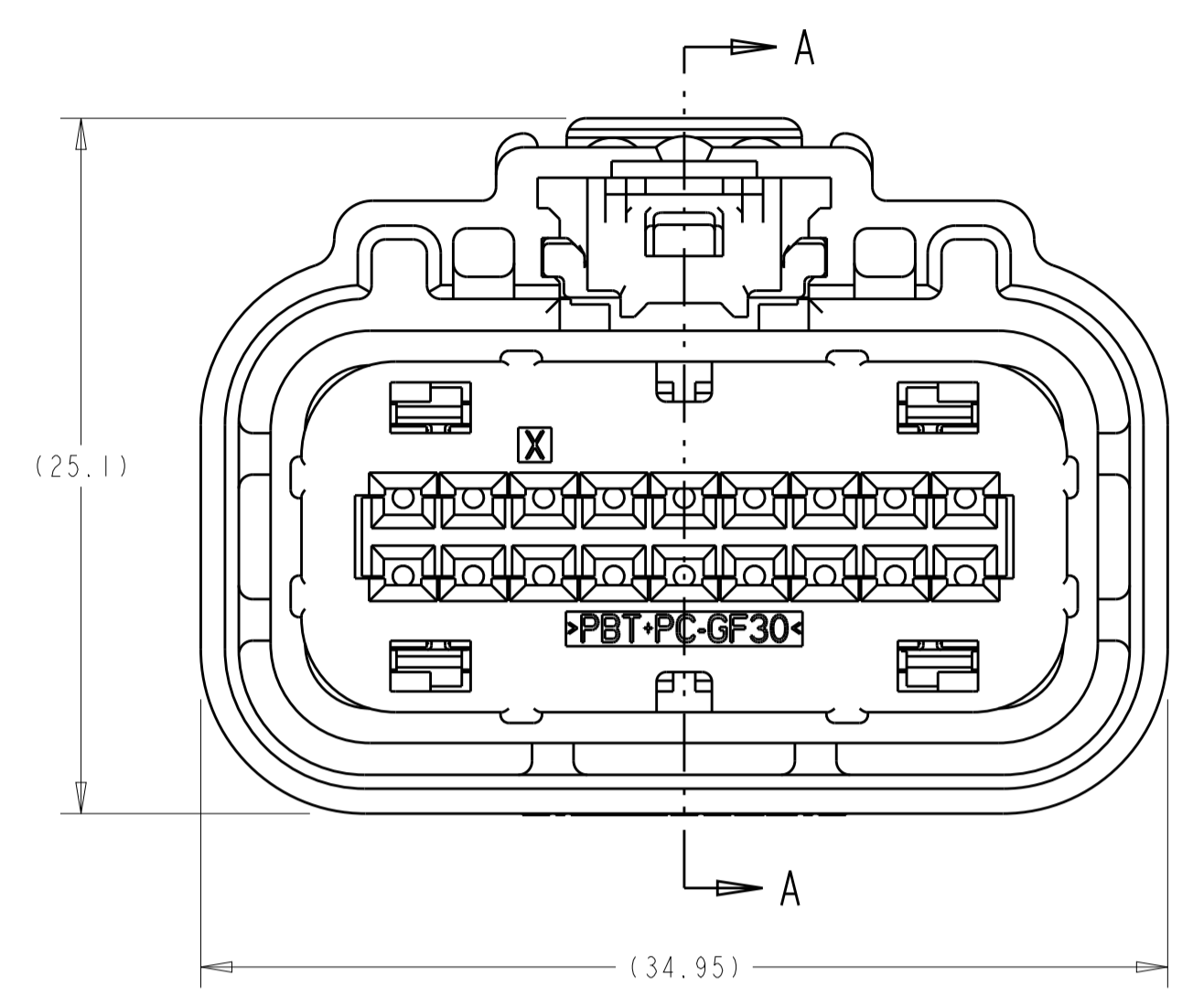


REVISIONS					
P.	LTN	DESCRIPTION	DATE	DMN	APVD
A7		REVISED PER ECO-15-018007	11JAN2016	DLD	DCM

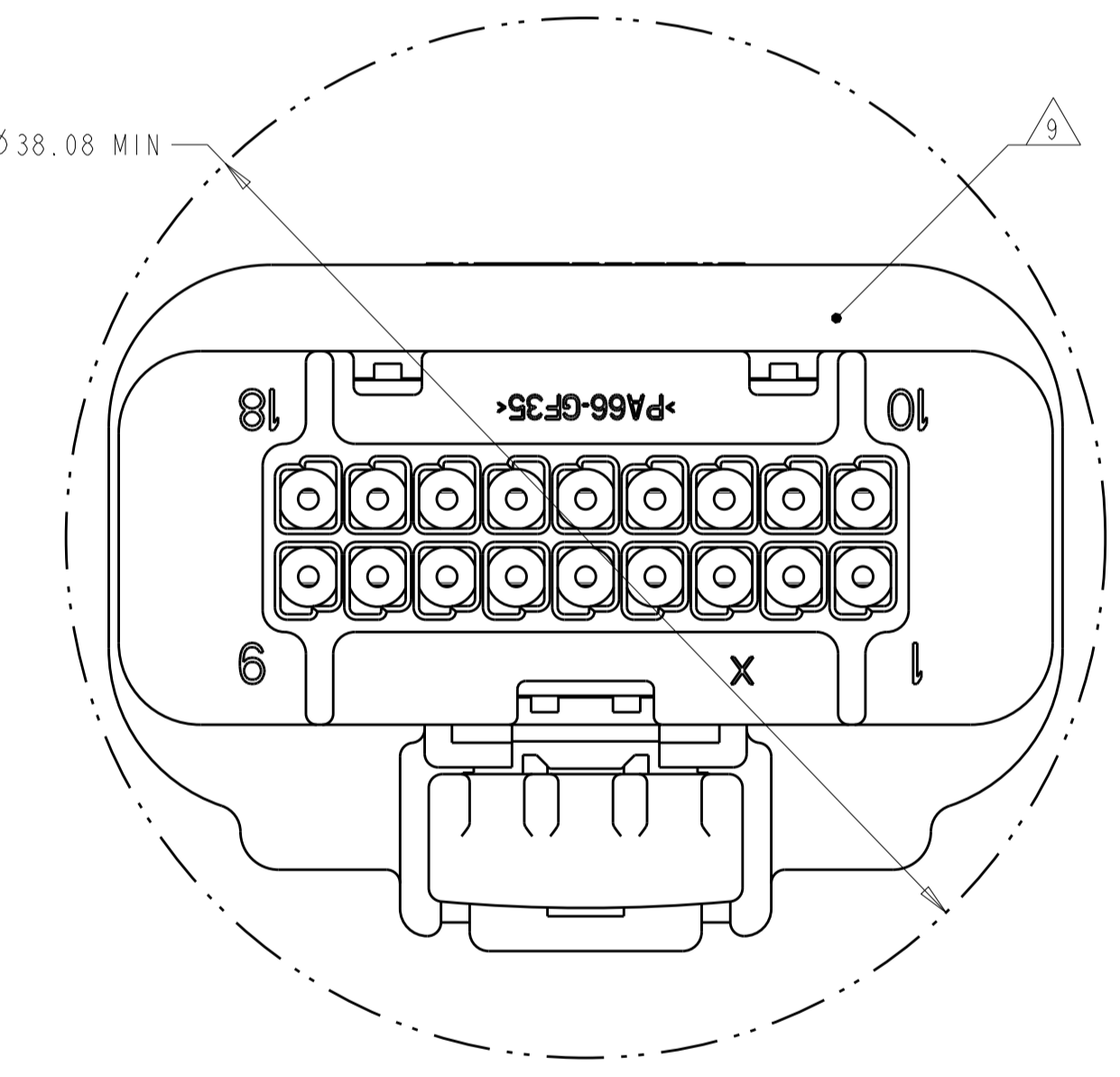
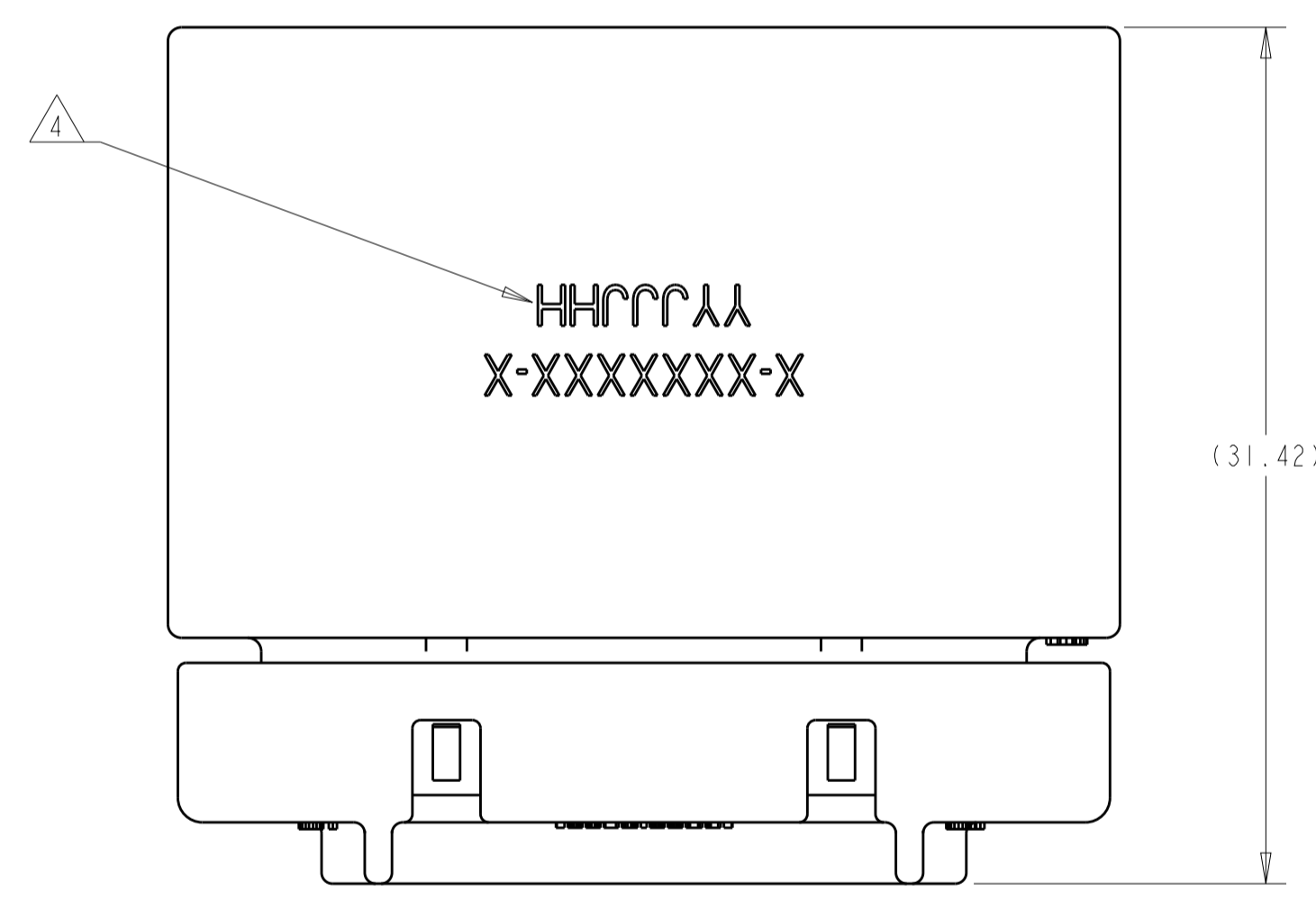


SECTION A-A  
 SHOWN WITH TPA  
 IN PRE-LOADED POSITION  
 (DELIVERY CONDITION)

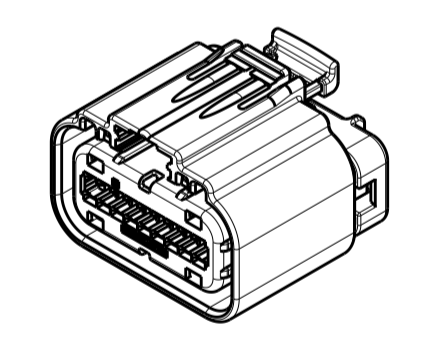


SCALE 3:1

- APPLICABLE TERMINAL PART NUMBERS (SOLD SEPARATELY):  
 FOR TIN AND SILVER APPLICATIONS: 1393367 AND 1393366.  
 FOR GOLD APPLICATIONS: 1393365 AND 1393364.  
 FOR TERMINATION AND REELING OPTIONS  
 SEE DRAWINGS 1393367, 1393366, 1393365, AND 1393364.
- COMPATIBLE WIRE SIZES FOR MAT SEAL DESIGN 1.19 TO 2.06 O.D.  
 (22-18 AWG, 0.35-0.75 mm<sup>2</sup>).
- TPA IS SHIPPED IN PRE-LOADED POSITION. SOME TPA'S MAY BECOME FULLY SEATED DURING SHIPPING. USE TE INSTRUCTION SHEET 408-10128 TO REPOSITION TPA TO IT'S PRE-LOADED POSITION.
- TE ASSEMBLY PART NUMBER (X-XXXXXXX-X) AND TRACEABILITY CODE (YY = TWO DIGIT YEAR, JJJ = JULIAN DAY, HH = TWO DIGIT MILITARY HOUR) ARE PRINTED IN THIS LOCATION.
- APPLICABLE HEADER INTERFACE DRAWING 1488536 IS AVAILABLE UPON REQUEST. A COPY OF THIS DRAWING CAN BE OBTAINED FROM THE TE PRODUCT MANAGER, VIA YOUR TE SALES REPRESENTATIVE OR CUSTOMER SERVICE.
- ASSEMBLIES ARE BULK PACKAGED.
- OPTIONAL CPA IS SHIPPED IN IT'S PRE-LOADED POSITION.
- PART NOT RELEASED TO PRODUCTION.
- COMPANY LOGO AND MOLD CAVITY ID LOCATED ON THIS SURFACE.

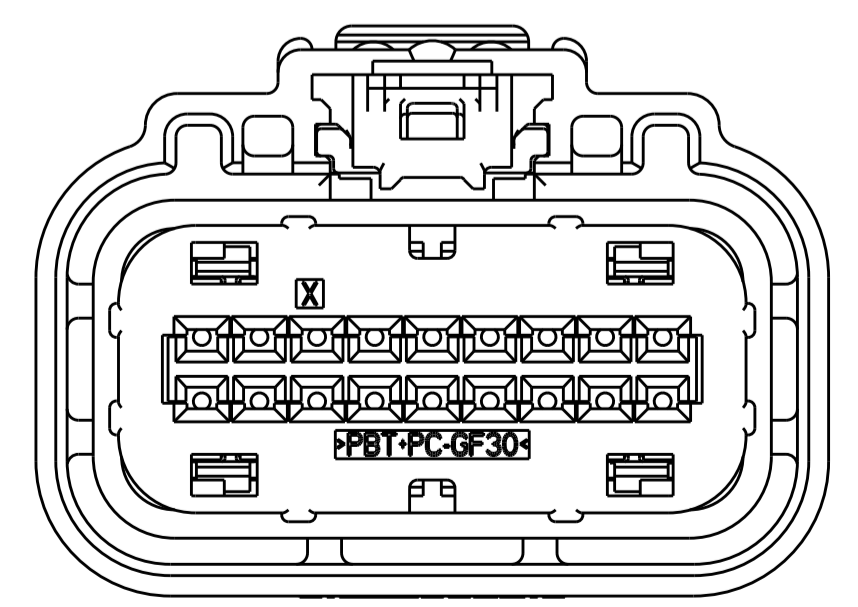


MINIMUM FEED THROUGH CONDITION  
 WITH 1mm CLEARANCE ALL AROUND

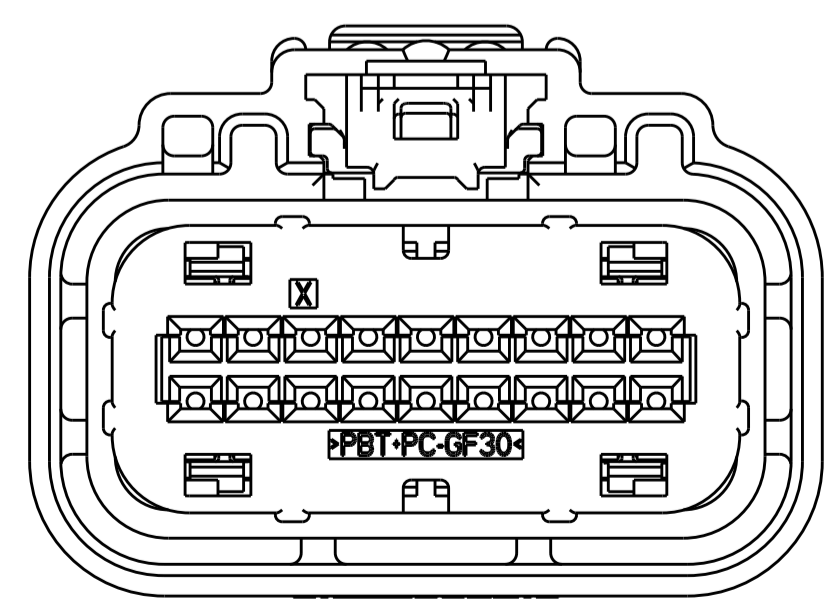


SCALE 1:1

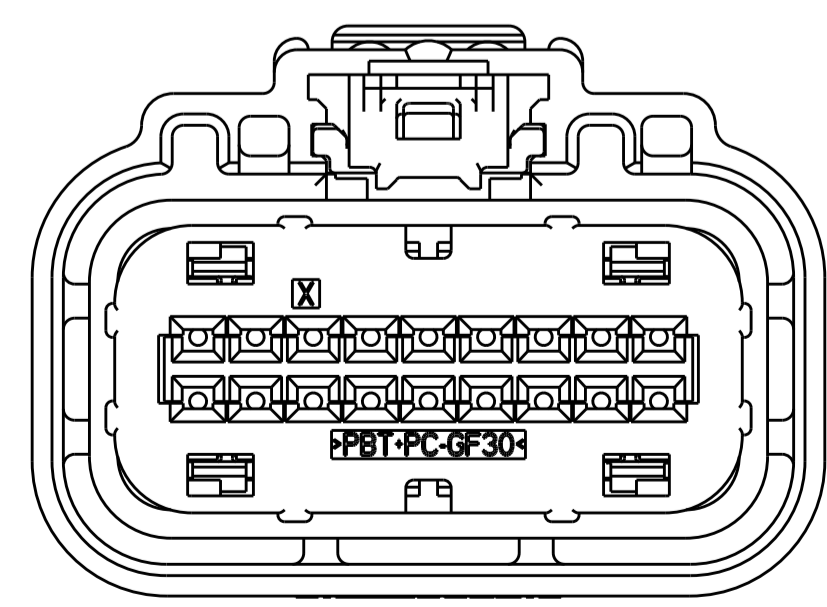
KEYING OPTION "A" SHOWN  
 SEE NOTE 5 FOR APPLICABLE  
 HEADER INTERFACE INFORMATION



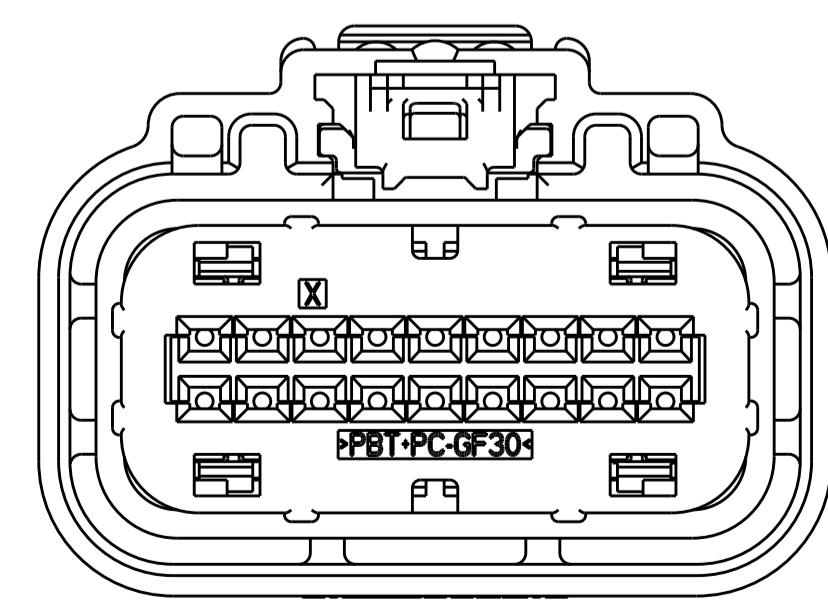
KEYING OPTION "A"  
 HOUSING COLOR: BLACK  
 SCALE 3:1



KEYING OPTION "B"  
 HOUSING COLOR: GRAY  
 SCALE 3:1



KEYING OPTION "C"  
 HOUSING COLOR: BROWN  
 SCALE 3:1



KEYING OPTION "D"  
 HOUSING COLOR: GREEN  
 SCALE 3:1

SEE SHEET 2 FOR BILL OF MATERIALS  
 AND PINOUT CHART

THIS DRAWING IS A CONTROLLED DOCUMENT.		DMN D. DRUMMOND	25FEB2013	TE Connectivity 2 X 9 SEALED, FEMALE PLUG ASSEMBLY
DIMENSIONS:		CHK C. MARTIN	25FEB2013	
TOLERANCES UNLESS OTHERWISE SPECIFIED:		APVD C. MARTIN	25FEB2013	
mm		PRODUCT SPEC	NAME	
0 PLC	±	108-2282	APPLICATION SPEC	SIZE
1 PLC	±0.3	114-13150	WEIGHT	A1
2 PLC	±0.10	CUSTOMER DRAWING	SCALE	3:1
3 PLC	±		SHEET	1
4 PLC	±		OF	2
ANGLES	±		REV	A7
FINISH	±			
SEE TABLE				

