

THIS DRAWING IS UNPUBLISHED.

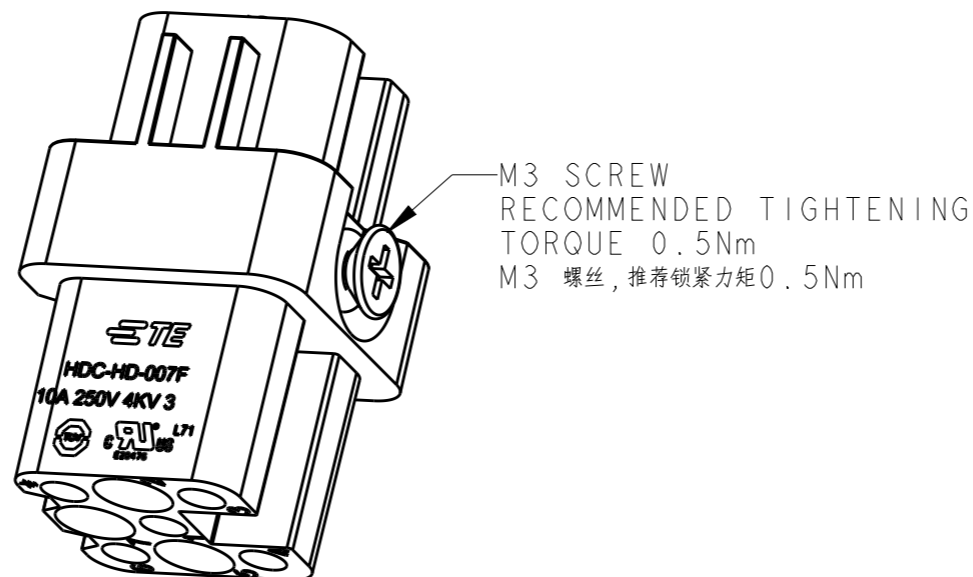
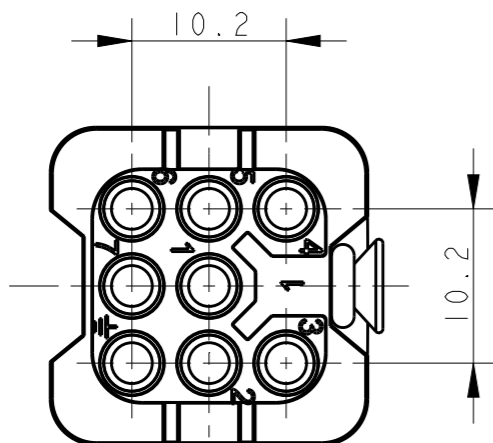
RELEASED FOR PUBLICATION

20

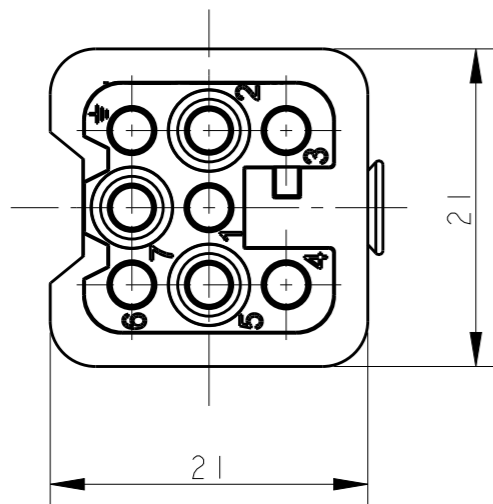
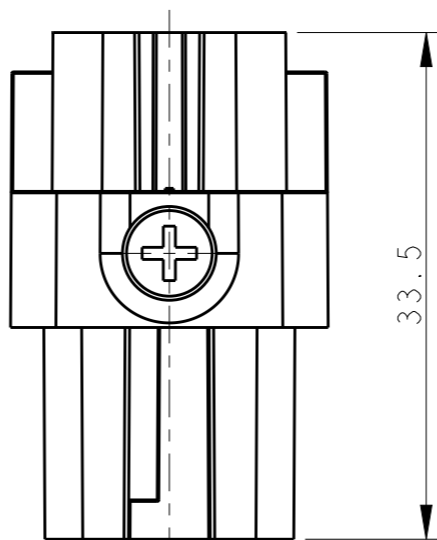
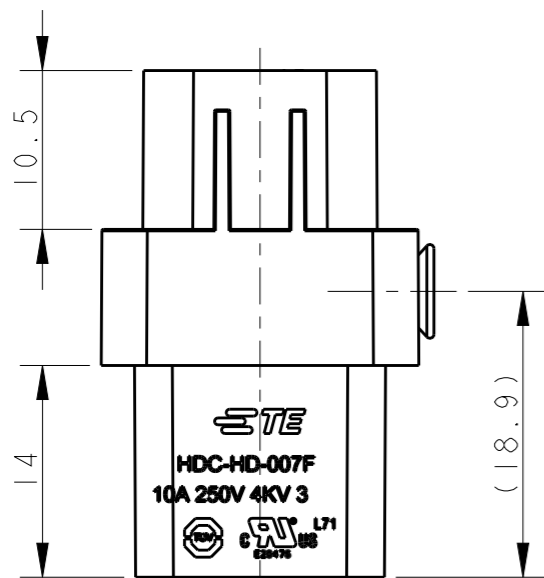
© COPYRIGHT 20 BY - ALL RIGHTS RESERVED.

REVISIONS

P	LTR	DESCRIPTION	DATE	DWN	APVD
	A	INITIAL RELEASE	16DEC2014	HMR	CW
	B	ECR-15-013292	16SEP2015	DL	CW
	B1	ECR-16-015492	04NOV2016	QY	CW



TYPE-1, T2020072201-000, TE LOGO  
 类型-1, T2020072201-000, TE LOGO



NOTES:

- TECHNICAL CHARACTERISTICS:  
 INSULATION MATERIAL: PBT  
 RATED VOLTAGE: 250 V  
 RATED CURRENT: 10 A  
 INSULATION RESISTANCE:  $\geq 400M\Omega$   
 RATED IMPULSE VOLTAGE: 4 KV  
 POLLUTION DEGREE: 3  
 FLAMMABILITY: UL94V-0  
 MATING CYCLES: 500 CYLCES  
 WIRE RANGE: 0.14-2.5 mm<sup>2</sup> (26-14 AWG)  
 CONTACT TYPE: CRIMP CONTACT
- CONTACT NEED TO BE ORDERED SEPARATELY.  
 (ORDER No. REFER TO DRAWING: T20200X20XX000)

注释:

- 技术参数:  
 绝缘材料: PBT  
 额定电压: 250V  
 额定电流: 10A  
 绝缘电阻:  $\geq 400M\Omega$   
 额定脉冲电压: 4 KV  
 污染等级: 3  
 阻燃等级: UL94V-0  
 插拔次数: 500次  
 接线范围: 0.14-2.5 mm<sup>2</sup> (26-14 AWG)  
 接线类型: 冷压接
- 端子需要单独订购.  
 (订货号参考图面: T20200X20XX000)

THIS DRAWING IS A CONTROLLED DOCUMENT.

DIMENSIONS:		TOLERANCES UNLESS OTHERWISE SPECIFIED:	
mm			
0 PLC	±-	1 PLC	±-
1 PLC	±-	2 PLC	±-
2 PLC	±-	3 PLC	±-
3 PLC	±-	4 PLC	±-
4 PLC	±-	ANGLES	±-
MATERIAL	-	FINISH	-
-	-	-	-

DWN	16DEC2014
CHK	16DEC2014
APVD	16DEC2014
PRODUCT SPEC	108-137042
APPLICATION SPEC	114-137042
WEIGHT	-
CUSTOMER DRAWING	

		TE Connectivity	
		NAME: HD-007-F	
SIZE	CAGE CODE	DRAWING NO	RESTRICTED TO
A3	-	©-T2020072201000	-
SCALE		SHEET	REV
2:1		1 OF 2	B1

THIS DRAWING IS UNPUBLISHED.

RELEASED FOR PUBLICATION

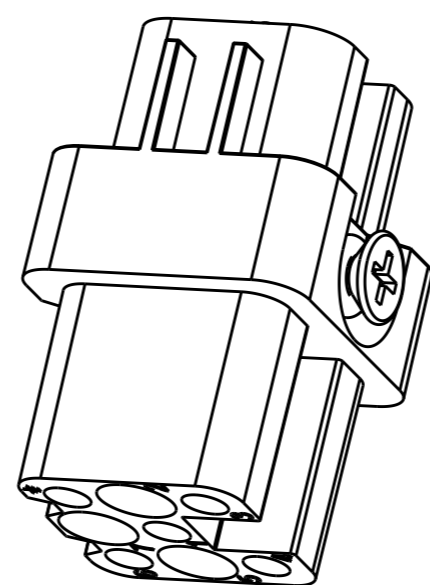
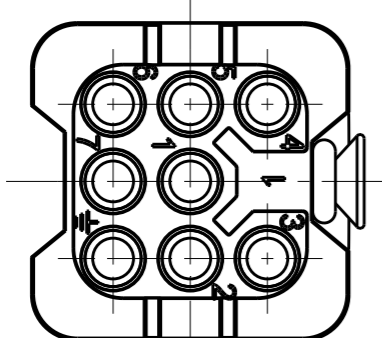
20

© COPYRIGHT 20 BY -

ALL RIGHTS RESERVED.

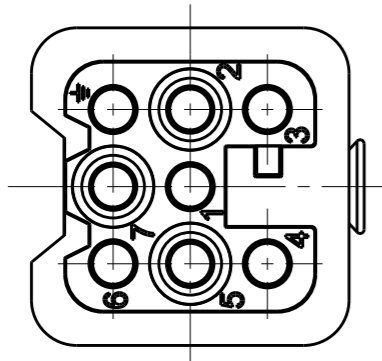
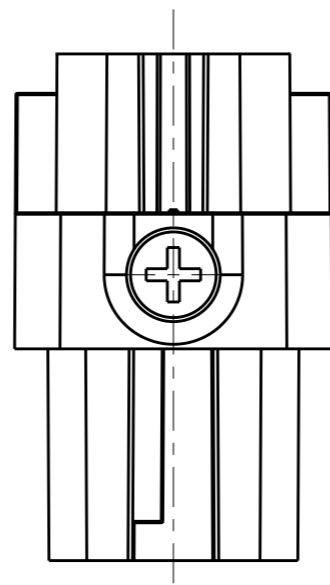
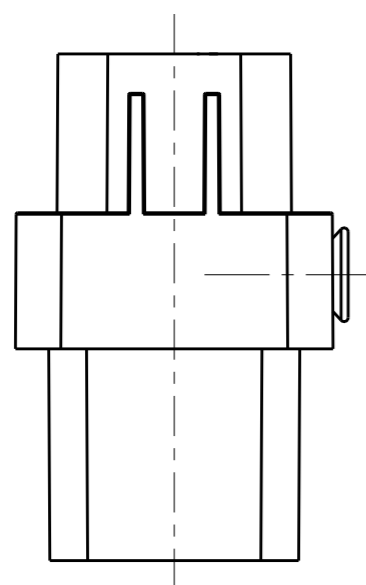
REVISIONS

P	LTR	DESCRIPTION	DATE	DWN	APVD
-		SEE SHEET 1	-	-	-



NOTE:  
SEE SHEET 1  
注释:  
见页 1

TYPE-2, T2020072201-001, STAINLESS STEEL SCREW, NO LOGO  
类型-2, T2020072201-001, 不锈钢螺丝, 无LOGO



T2020072201-001	HD-007-F	HD-007 FEMALE INSERT, STAINLESS STEEL SCREW, NO LOGO HD-007 母插, 不锈钢螺丝, 无LOGO	TYPE-2 类型-2
T2020072201-000	HD-007-F	HD-007 FEMALE INSERT HD-007 母插	TYPE-1 类型-1
PART NUMBER 料号	PART DESCRIPTION 描述		TYPE 类型

THIS DRAWING IS A CONTROLLED DOCUMENT.

DIMENSIONS:	TOLERANCES UNLESS OTHERWISE SPECIFIED:
mm	
	0 PLC ±-
	1 PLC ±-
	2 PLC ±-
	3 PLC ±-
	4 PLC ±-
	ANGLES ±-
MATERIAL	FINISH
-	-
-	-

DWN	16DEC2014
CHK	RAGHAVENDRA H M
APVD	16DEC2014
NAME	CHRIS WANG
PRODUCT SPEC	XU XIANG
APPLICATION SPEC	108-137042
WEIGHT	114-137042
CUSTOMER DRAWING	

TE Connectivity		NAME		RESTRICTED TO
		HD-007-F		
SIZE	CAGE CODE	DRAWING NO	RESTRICTED TO	
A3	-	©-T2020072201000	-	
SCALE		SHEET	OF	REV
2:1		2	2	B1

ALL DIMENSIONS ARE SAME AS TYPE 1,  
EXCEPT THOSE DEFINED IN THIS TYPE.  
除了在本类型中定义的尺寸外, 其它尺寸同类型 1