

# Kabelverschraubung SCHLEMMER-TEC

Polyamid  
PG-Gewinde, kurz

# Cable gland SCHLEMMER-TEC

Polyamide  
PG-thread, short

3.1



**Material:**

- 1/3: Verschraubungskörper/  
Hutmutter: Polyamid 6
- 2: Dichtung: Neopren

**Temperaturbereich:**

-40°C bis 100°C

**Farbe(n)/Ausführungen:**

- lichtgrau, silbergrau, tiefschwarz
- Außengewinde: PG
- kurzes Gewinde
- Reduzier-Dichteinsatz

**Eigenschaften:**

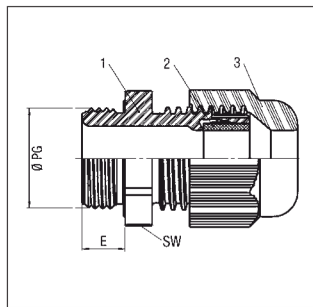
- optimale Zugentlastung durch Klemmlamellen
- Abdichtung zum Gehäuse durch Dichtungslippe
- Trapezgewinde für hohes Anzugsmoment garantiert festen und dauerhaften Sitz der Hutmutter
- gas- und wasserdicht

**Zubehör (siehe Kapitel...):**

- Mehrlochdichtungen (3.1)
- Gegenmuttern (3.3)
- Montagezange Mon.Za (3.1)

**Anwendungsbereiche:**

- Maschinen- und Anlagenbau
- Photovoltaik
- Automatisierungstechnik
- Schiffsbau



**Material:**

- 1/3: Gland element/Cap nut: Polyamide 6
- 2: Sealing: Neoprene

**Temperature range:**

-40°C to 100°C

**Colour(s)/Designs:**

- light grey, silver grey, jet black
- External thread: PG
- short thread
- reduction sealing insert

**Characteristics:**

- maximum strain relief through clamp lamella
- seal-tight to enclosure rack through sealing ring
- trapezoidal thread with high torque guarantees tight and permanent fit of the cap nut
- gas and water-tight

**Accessories (see chapter...):**

- Multi-holed Sealings (3.1)
- lock nuts (3.3)
- Mounting tool Mon.Za (3.1)

**Applications:**

- Machine and apparatus construction
- Photovoltaic
- Automation technology
- Ship yards

| Außengewinde    | Klemmbereich mm   | Gewindelänge (E) mm  | SW mm | Art.-Nr. lichtgrau RAL 7035  | Art.-Nr. silbergrau RAL 7001  | Art.-Nr. tiefschwarz RAL 9005 | VE Stck. |
|-----------------|-------------------|----------------------|-------|------------------------------|-------------------------------|-------------------------------|----------|
| External thread | Clamping range mm | Thread length (E) mm | SW mm | Art. no. light grey RAL 7035 | Art. no. silver grey RAL 7001 | Art. no. jet black RAL 9005   | PU pcs.  |
| PG 7            | 2,5 - 6,5         | 8,0                  | 15,0  | 5308707                      | 5308070                       | 5308507                       | 100      |
| PG 9            | 2,5 - 8,0         | 8,0                  | 19,0  | 5308709                      | 5308097                       | 5308509                       | 50       |
| PG 11           | 3,5 - 10,0        | 8,0                  | 22,0  | 5308711                      | 5308119                       | 5308511                       | 50       |
| PG 13,5         | 5,0 - 12,0        | 9,0                  | 24,0  | 5308713                      | 5308135                       | 5308513                       | 50       |
| PG 16           | 7,0 - 14,0        | 10,0                 | 27,0  | 5308716                      | 5308160                       | 5308516                       | 50       |
| PG 21           | 9,0 - 18,0        | 11,0                 | 33,0  | 5308721                      | 5308216                       | 5308521                       | 25       |
| PG 29           | 14,0 - 25,0       | 11,0                 | 42,0  | 5308729                      | 5308291                       | 5308529                       | 20       |
| PG 36           | 18,0 - 32,0       | 13,0                 | 53,0  | 5308736                      | 5308364                       | 5308536                       | 10       |
| PG 42           | 24,0 - 38,5       | 13,0                 | 60,0  | 5308737                      | 5308365                       | 5308537                       | 5        |
| PG 48           | 35,0 - 48,0       | 14,0                 | 70,0  | 5308738                      | 5308366                       | 5308538                       | 5        |

**mit Reduzier-Dichteinsatz / with reduction sealing insert**

|             |             |      |      |         |         |         |     |
|-------------|-------------|------|------|---------|---------|---------|-----|
| PG 7 RED    | 1,5 - 5,0   | 8,0  | 15,0 | 5309107 | 5309007 | 5309207 | 100 |
| PG 9 RED    | 1,5 - 6,0   | 8,0  | 19,0 | 5309109 | 5309009 | 5309209 | 50  |
| PG 11 RED   | 2,0 - 7,0   | 8,0  | 22,0 | 5309111 | 5309011 | 5309211 | 50  |
| PG 13,5 RED | 3,0 - 9,0   | 9,0  | 24,0 | 5309113 | 5309013 | 5309213 | 50  |
| PG 16 RED   | 5,0 - 12,0  | 10,0 | 27,0 | 5309116 | 5309016 | 5309216 | 50  |
| PG 21 RED   | 7,0 - 16,0  | 11,0 | 33,0 | 5309121 | 5309021 | 5309221 | 25  |
| PG 29 RED   | 11,0 - 21,0 | 11,0 | 42,0 | 5309129 | 5309029 | 5309229 | 20  |
| PG 36 RED   | 13,0 - 26,0 | 13,0 | 53,0 | 5309136 | 5309036 | 5309236 | 10  |
| PG 42 RED   | 17,0 - 31,0 | 13,0 | 60,0 | 5309142 | 5309042 | 5309242 | 5   |
| PG 48 RED   | 26,0 - 39,0 | 14,0 | 70,0 | 5309148 | 5309048 | 5309248 | 5   |