

4

3

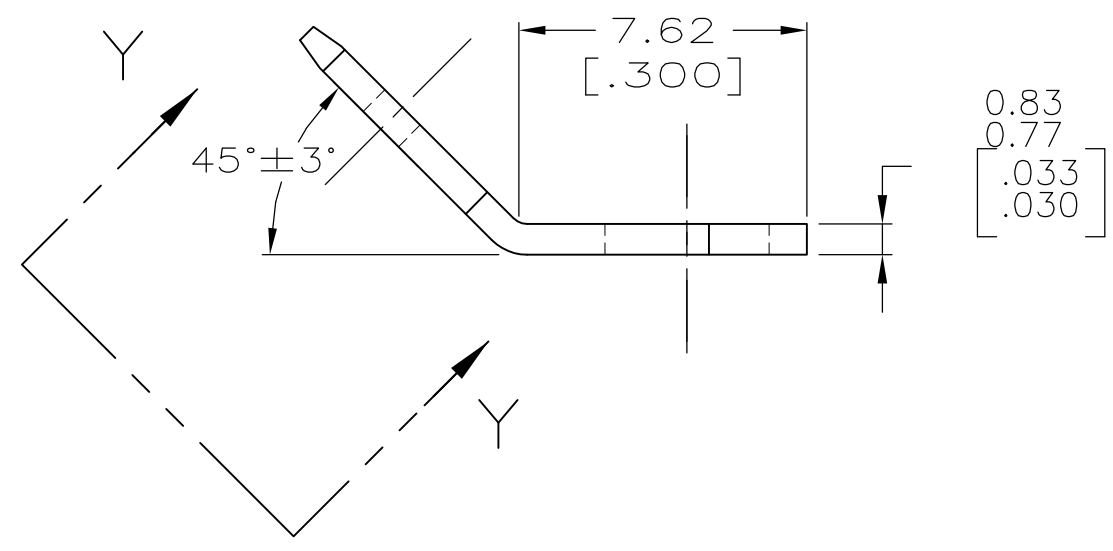
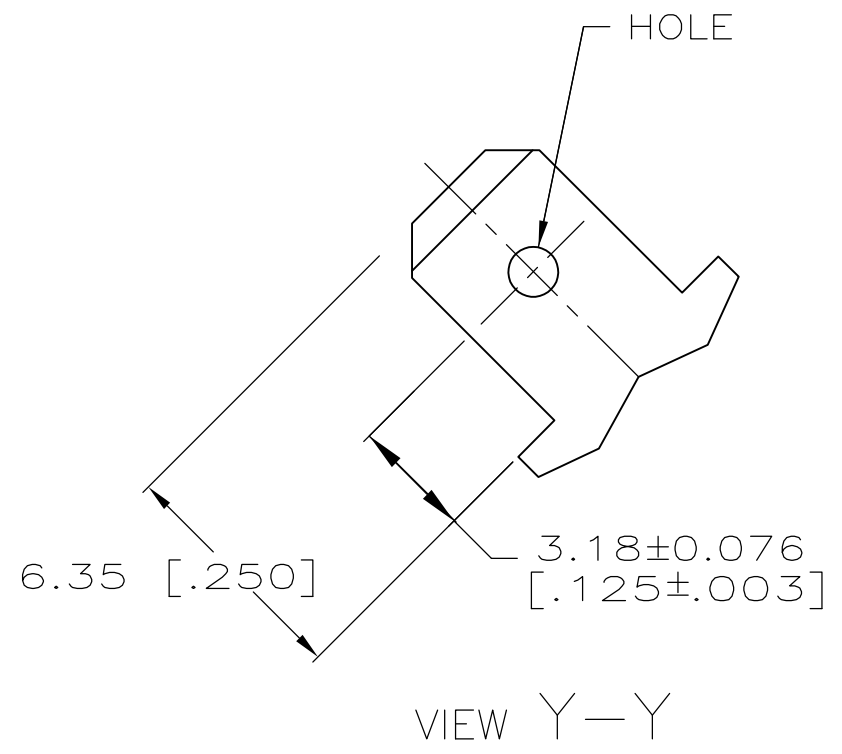
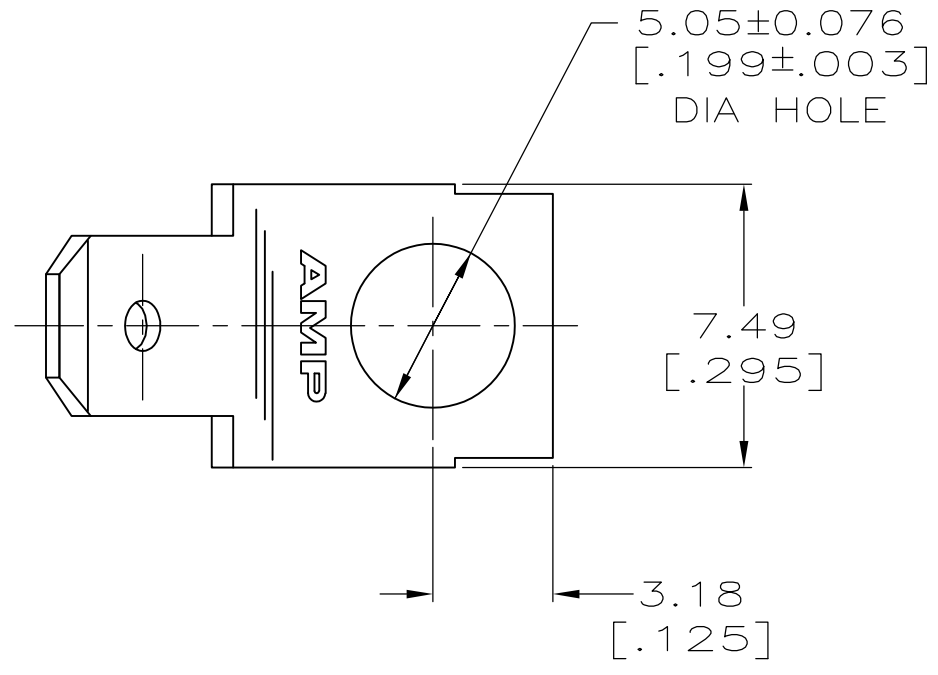
2

1

THIS DRAWING IS UNPUBLISHED. RELEASED FOR PUBLICATION  
 © COPYRIGHT - By - ALL RIGHTS RESERVED.

LOC	DIST	REVISIONS			
P	LTR	DESCRIPTION	DATE	DWN	APVD
AF	50	D	REVISED PER ECR-13-011489	14DEC2013	KH PD

1 SUPPLIED IN LOOSE PIECE.



1217050-1  
PART NO.

THIS DRAWING IS A CONTROLLED DOCUMENT.		DWN	JR RUTH	1/16/98	<b>STE</b> TE Connectivity			
DIMENSIONS: mm [INCHES]		CHK	MS FEHER	1/16/98				
TOLERANCES UNLESS OTHERWISE SPECIFIED:		APVD	J HUZVAR	1/16/98	NAME			
0 PLC ± -		PRODUCT SPEC			TAB, FASTON™, 4.75 [.187] SERIES			
1 PLC ± -		APPLICATION SPEC			SIZE	CAGE CODE	DRAWING NO	RESTRICTED TO
2 PLC ± 0.38 [.015]		WEIGHT			A3	D	C-1217050	-
3 PLC ± -		CUSTOMER DRAWING			SCALE	SHEET	REV	
4 PLC ± -					5:1	1 OF 1	D	
ANGLES ± -								
MATERIAL								
BRASS								
FINISH								
TIN								