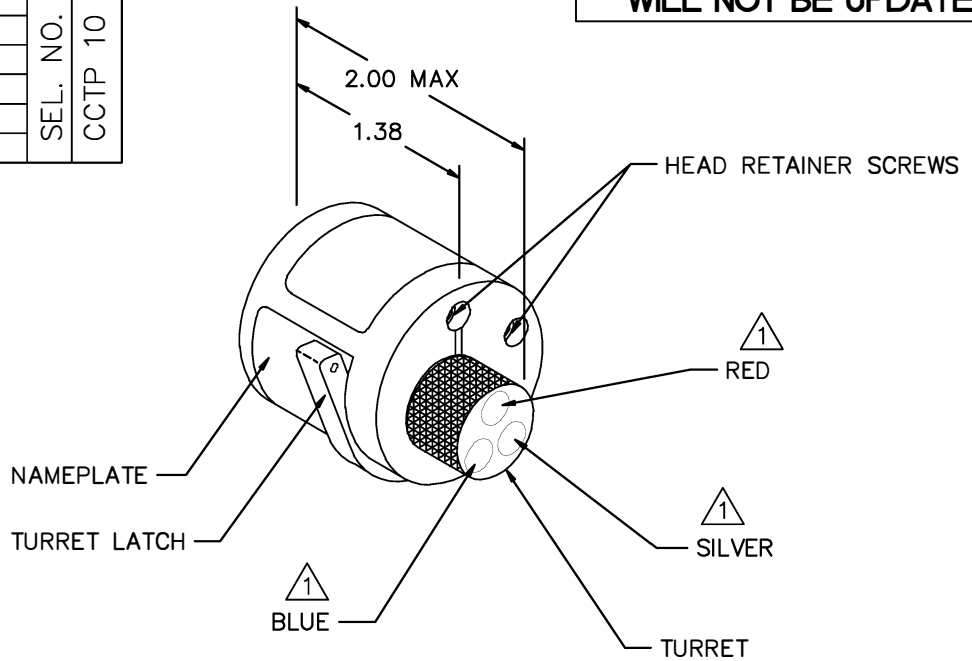
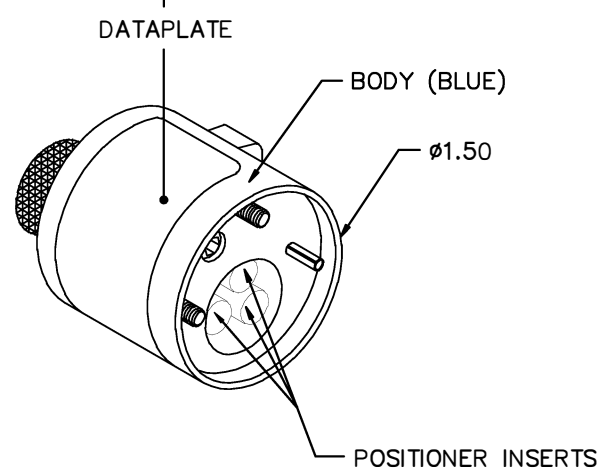
 CDMA—CDFA CDMD—CDFD		0,14 mm ²	0,25 mm ²	0,34 mm ²	0,5 mm ²	0,75 mm ²	1,0 mm ²	1,5 mm ²	2,5 mm ²	WIRE SIZE
RED PIN	BLUE SOCKET	26	24	22	20	18	17	16	14	AWG
0,3	0,3	5	5	6						SEL. NO. CCTP 10
0,5	0,5				6					
0,7	0,7					6				
1,0	1,0						6			
1,5	1,5							7		
2,5	2,5								7	

REVISIONS				
REV. SYM.	E.C.O. NUMBER	DESCRIPTION	BY DATE	APP'D DATE
1		ORIGINAL RELEASE	AAM 2-19-01	RRR 2-19-01
2	21595	DATAPLATE CHANGE	TD 2-9-10	

**UNCONTROLLED DOCUMENT
WILL NOT BE UPDATED**



① RANDOM ORDER OF ROTATION IS ACCEPTABLE.

POSITIONER COLOR	HOLE DIMENSIONS	ADDITIONAL FEATURES
RED	∅.070 ∇.84 MIN.	└┐ ∅.136 ∇.221
BLUE	∅.104 ∇.618	└┐ ∅.147 ∇.268
SILVER		

* HOLE AND COUNTERBORE DEPTHS ARE MEASURED FROM TOP OF POSITIONER INSERTS.

RESTRICTED & CONFIDENTIAL		ITEM	PART NO.	QTY.	DESCRIPTION/REMARKS			
CONFIDENTIAL PROPERTY OF DANIELS MANUFACTURING CORP. NOT TO BE DISCLOSED TO OTHERS. REPRODUCED OR USED FOR ANY OTHER PURPOSE, EXCEPT AS AUTHORIZED IN WRITING BY DANIELS MANUFACTURING. MUST BE RETURNED TO DANIELS MANUFACTURING CORP. ON COMPLETION OF ORDER OR OTHER PURPOSE FOR WHICH LENT.		DRN.	A. MOO-YOUNG	DATE	2-19-01			
		CHK'D.	RRR	DATE	2-19-01			
		APP'D.		DATE				
		APP'D.		DATE				
DO NOT SCALE DRAWING		NOTE:		WHERE USED: AF8				
		THIS DRAWING IS AN OUTLINE DRAWING OF THE RESPECTIVE DMC PART NUMBER.		SIZE	SCALE	CAD P/N	SHEET	OF
		INDICATED. ACTUAL DMC PART NUMBER IS DRAWING NUMBER WITHOUT THE "-ENV" SUFFIX.		B	NTS	TH493I-ENV	1	1
				POSTING	DWG. NO.	TH493I-ENV	REV.	2



DANIELS MANUFACTURING CORP.
ORLANDO, FLORIDA
CAGE 11851

TITLE
**ENVELOPE DRAWING
TURRET HEAD**