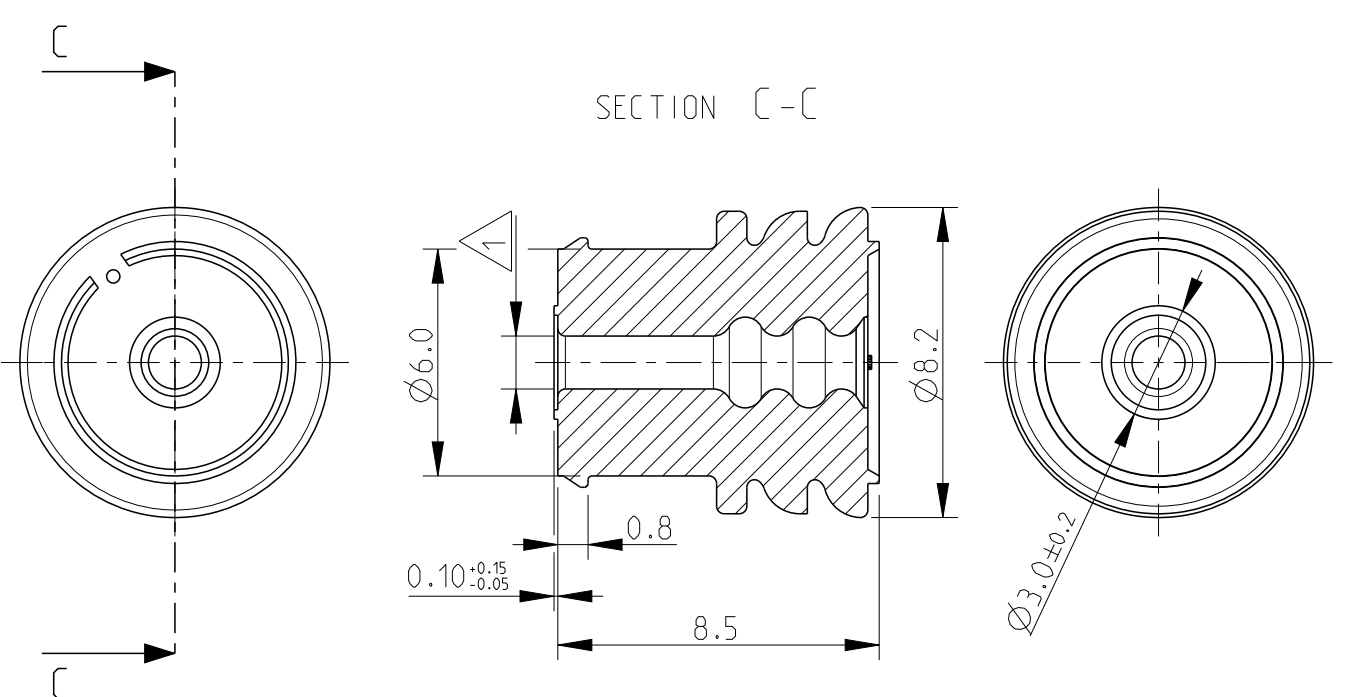
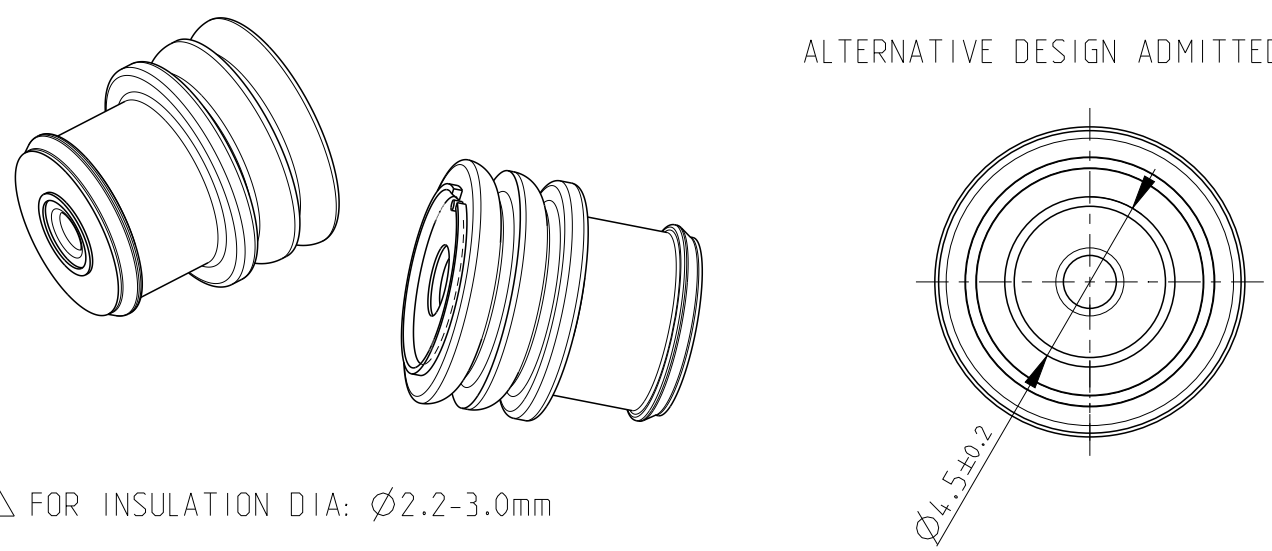


REVISIONS					
P	LTR	DESCRIPTION	DATE	DWN	APVD
	B2	ECO-16-009461	22JUN2016	M.G.	M.G.



ALTERNATIVE DESIGN ADMITTED



WHITE	SILICONE 50° SHORE A INHERENTLY LUBRICATED	963244-1
COLOR	MATERIAL	P/N

20
 RELEASED FOR PUBLICATION
 ALL RIGHTS RESERVED.
 BY -
 THIS DRAWING IS UNPUBLISHED.
 COPYRIGHT © 20

DIMENSIONS: mm	DWN R.Schan	23AUG1989	MATERIAL	SEE TABLE	FINISH	-
	CHK M. Adamski	23AUG1989	TE Connectivity			
TOLERANCES UNLESS OTHERWISE SPECIFIED:	APVD	-				
0 PLC ± 0.3	PRODUCT SPEC	-	NAME SINGLE WIRE SEAL (8.2mm DIA)			
1 PLC ±	APPLICATION SPEC	-	SIZE	CAGE CODE	DRAWING NO	RESTRICTED TO
2 PLC ±			A 4	-	©-963244	-
3 PLC ±	WEIGHT	0.348g	CUSTOMER DRAWING			
4 PLC ±			SCALE	5:1	SHEET	1 OF 1
ANGLES ±°			REV B2			