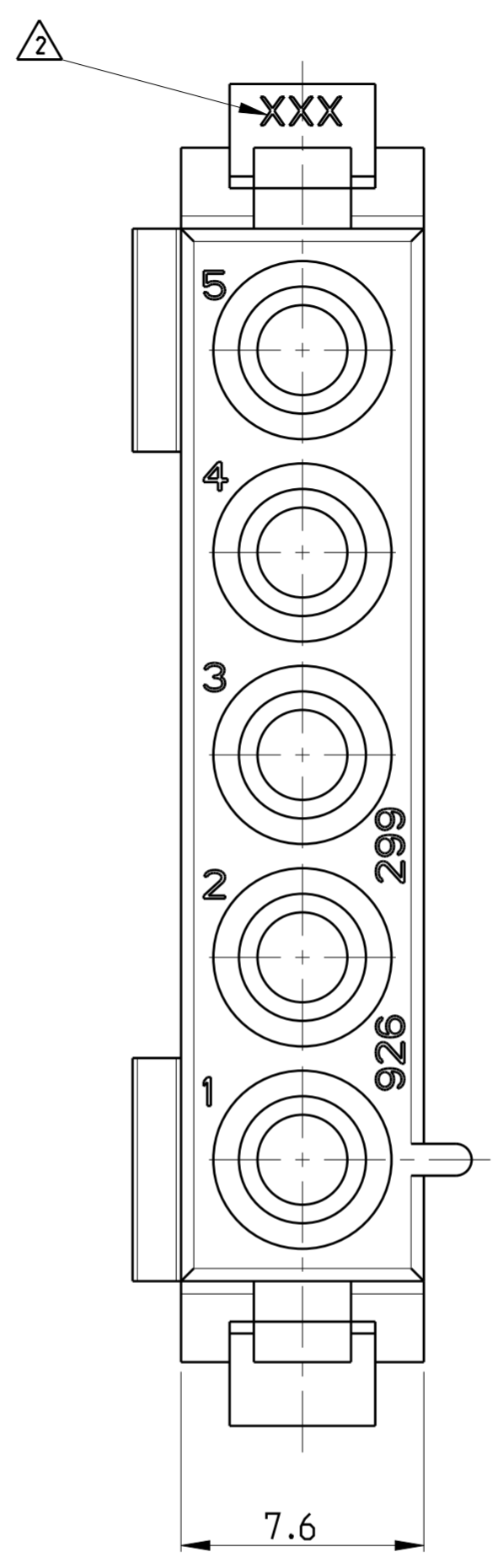
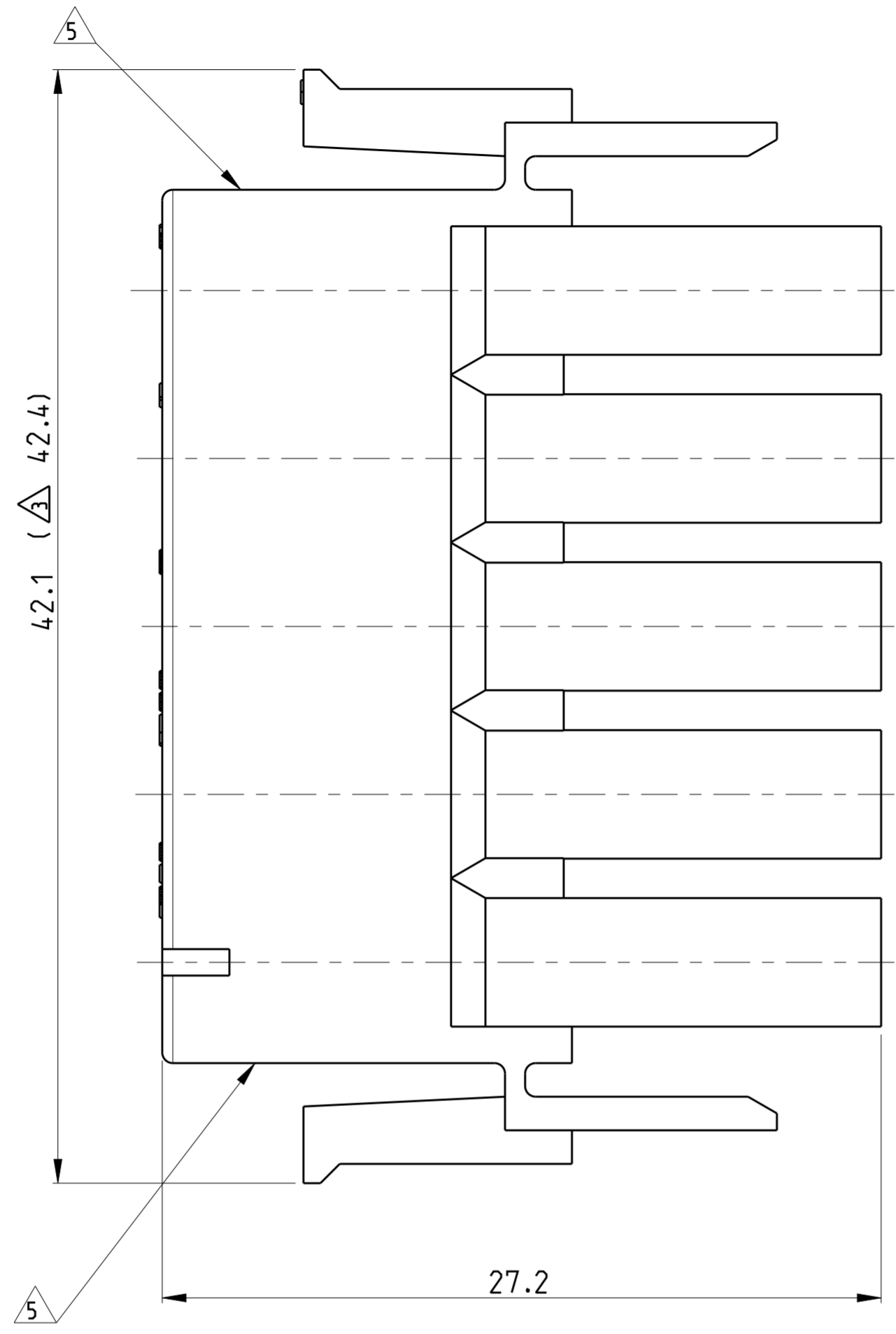
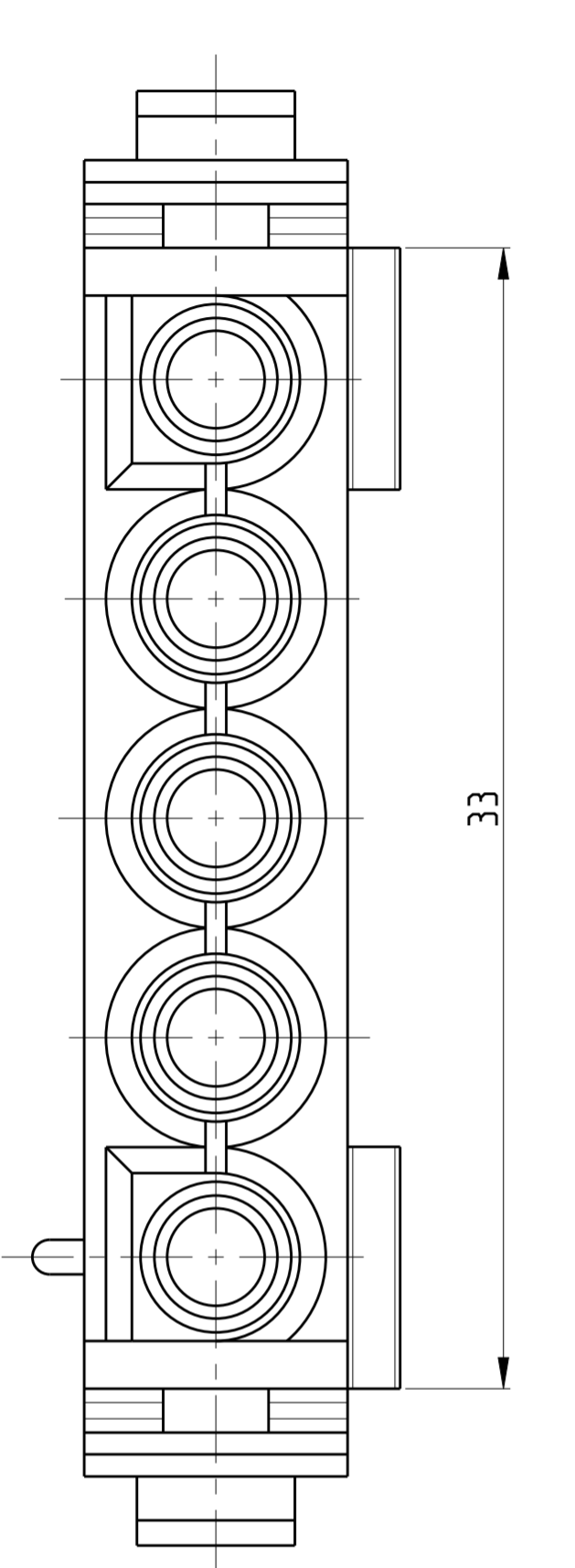


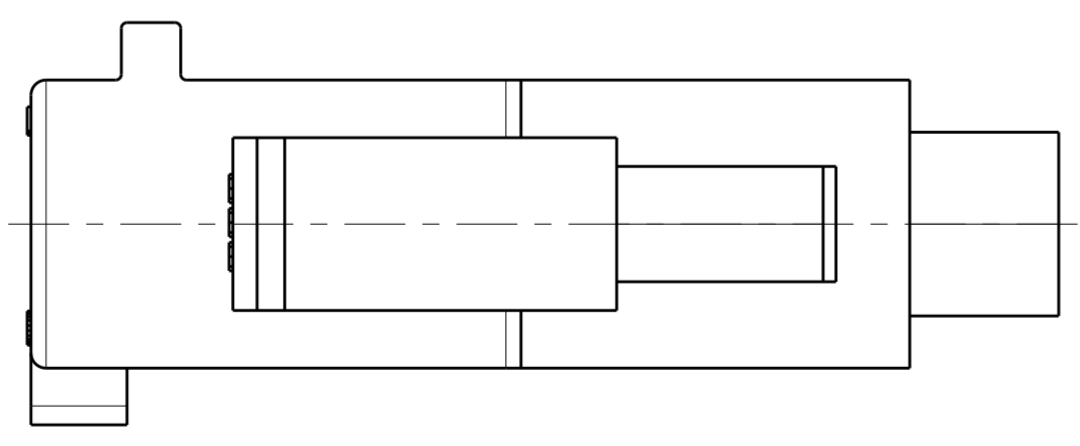
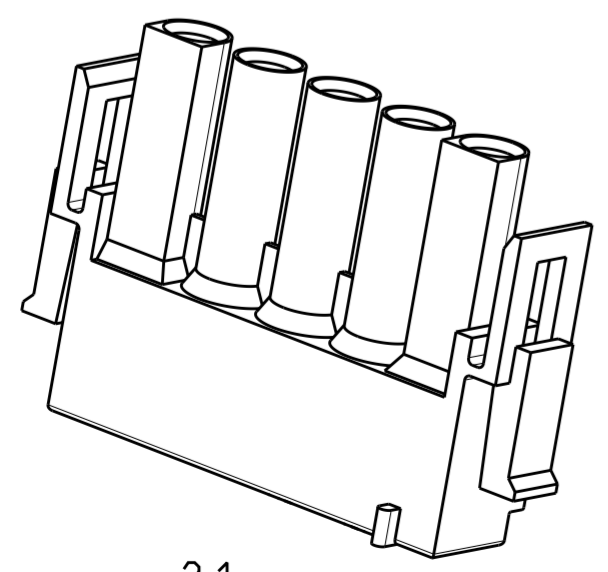
THIS DRAWING IS UNPUBLISHED. RELEASED FOR PUBLICATION 2003  
 © COPYRIGHT 2003 ALL RIGHTS RESERVED.

LOC	DIST	REVISIONS					
A1	-	P	LTR	DESCRIPTION	DATE	DWN	APVD
		J2		REVISED PER ECR-17-014951	16OCT2017	BDA	KR



Bemerkungen  
NOTES

- 1 Neues Material ( Phosphor und Halogen frei )  
NEW MATERIAL ( PHOSPHORUS AND HALOGENOUS FREE )
- 2 Hersteller-Logo und Ländercode  
nach AMP-Spez. 115-18016  
BRANDNAME AND MANUFACTURING LOCATION CODE  
ACCORDING SPEC. 115-18016
- 3 Gl ühdrahtprüfung 750 °C (ohne Flamme)  
Maß 42.4 nur für Var. ...-5  
GW T 750 °C (WITHOUT FLAME)  
DIM 42.4 ONLY FOR VAR. ...-5
- 4 Farbe der Gehäuse kann anhand klar, grün oder gelb  
wegen hygroskopischen Natur resin.However es hat keinen  
Einfluss auf die Form, Passform und Funktion der Produktpalette.  
COLOR OF HOUSINGS MAY RANGE FROM CLEAR TO GREEN OR YELLOW DUE  
TO HYGROSCOPIC NATURE OF RESIN, HOWEVER IT DOESN'T AFFECT THE FORM,  
FIT AND FUNCTION OF THE PRODUCT.
- 5 CSA-ZERTIFIZIERUNGS-LOGO DIE MINDESTENS AUF EINER SEITE DES  
GEHÄUSES AUFGEFÜHRT WURDE  
CSA CERTIFICATION LOGO LOCATED AT LEAST ON ONE SIDE OF THE HOUSING LOCATED AS SHOWN
- 6 DIMENSIONS SHOWN REPRESENT PRODUCT IN DRY, AS MOLDED, CONDITION.  
ADDITIONAL 2% GROWTH DUE TO SUBSEQUENT MOISTURE ABSORPTION MAY OCCUR  
AND SHOULD BE ACCOUNTED FOR.



926299-5	PA6 UL94 V-2	3	natur NATURAL
926299-4	PA6.6 UL94 V-0		weiß WHITE
926299-3	PA6.6 UL94 V-0	1	natur NATURAL
926299-2	PA6.6 UL94 V-0		schwarz BLACK
926299-1	PA 66 UL94 V-2	4	natur NATURAL
PART NO.	MATERIAL		COLOR

THIS DRAWING IS A CONTROLLED DOCUMENT.		DWN Abraham.G. 22MAY03	TE Connectivity	
		CHK Kampmann.H. 23MAY03		
DIMENSIONS: mm		TOLERANCES UNLESS OTHERWISE SPECIFIED:		NAME 5-pol. Steckergewüse 5 WAY PLUG
		0 PLC ±	APVD -	PRODUCT SPEC 108-1031
MATERIAL SEE TABLE		1 PLC ± 0.2	APVD -	APPLICATION SPEC 114-18011
		2 PLC ±	WEIGHT 3.1 g	SIZE A2
		3 PLC ±	CUSTOMER DRAWING	CAGE CODE 926299
		4 PLC ±	SCALE 5:1	DRAWING NO -
		ANGLES ±°	SHEET 1 OF 1	RESTRICTED TO -
		FINISH	REV J2	