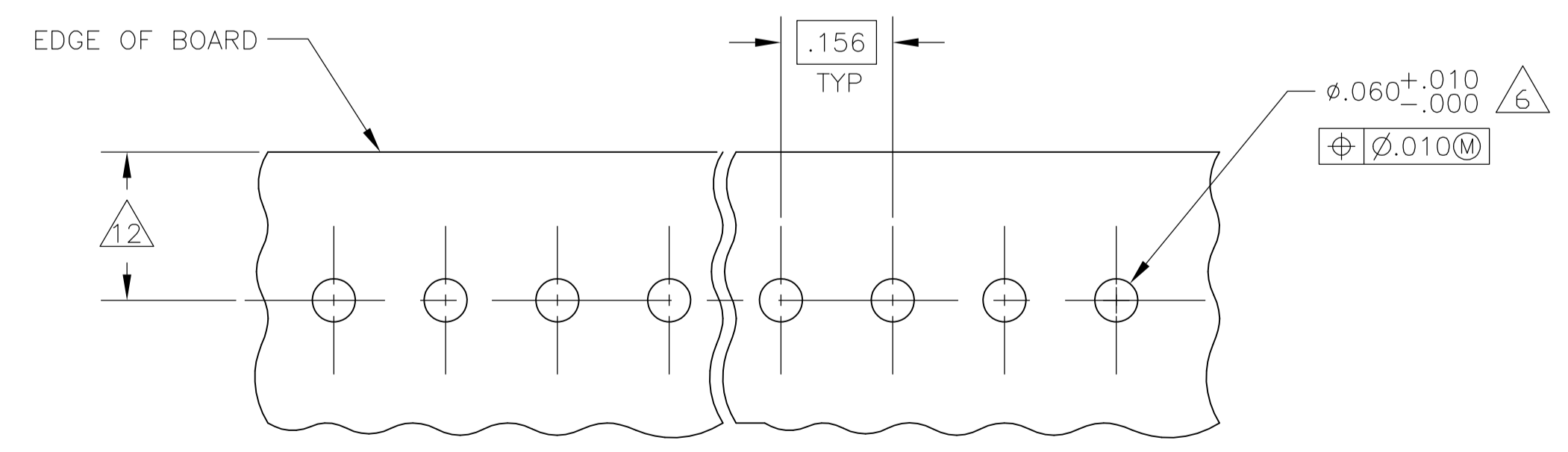
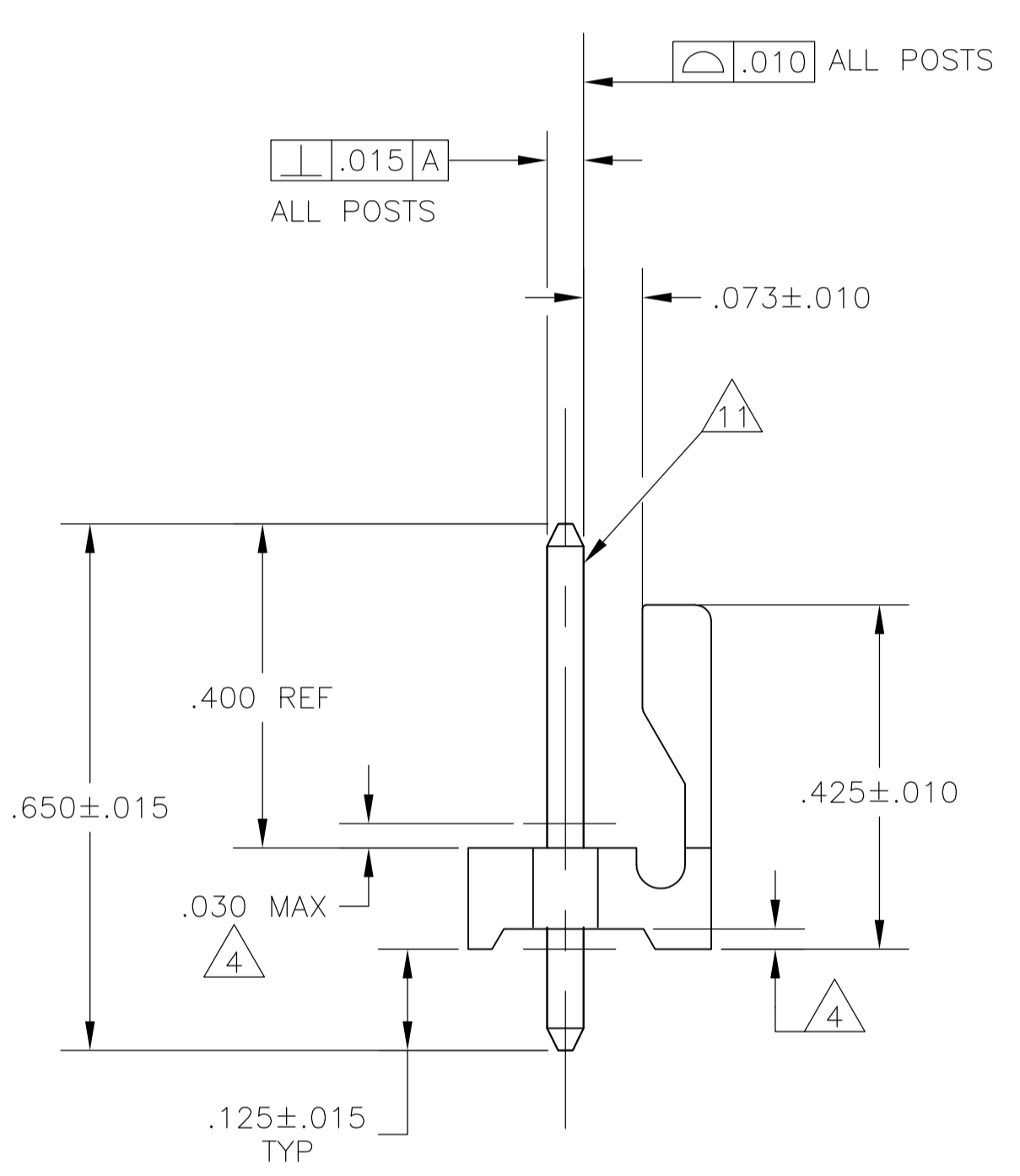
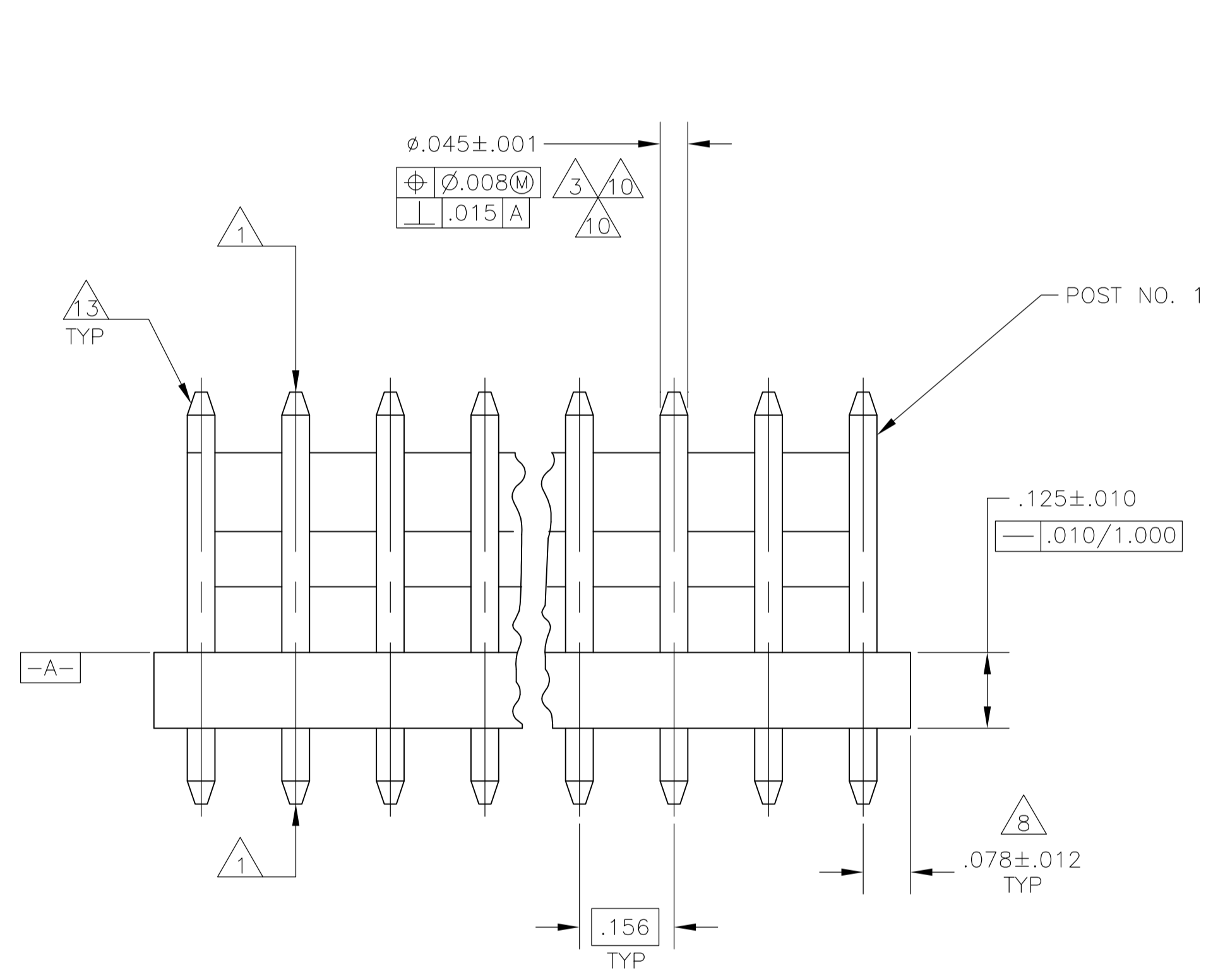
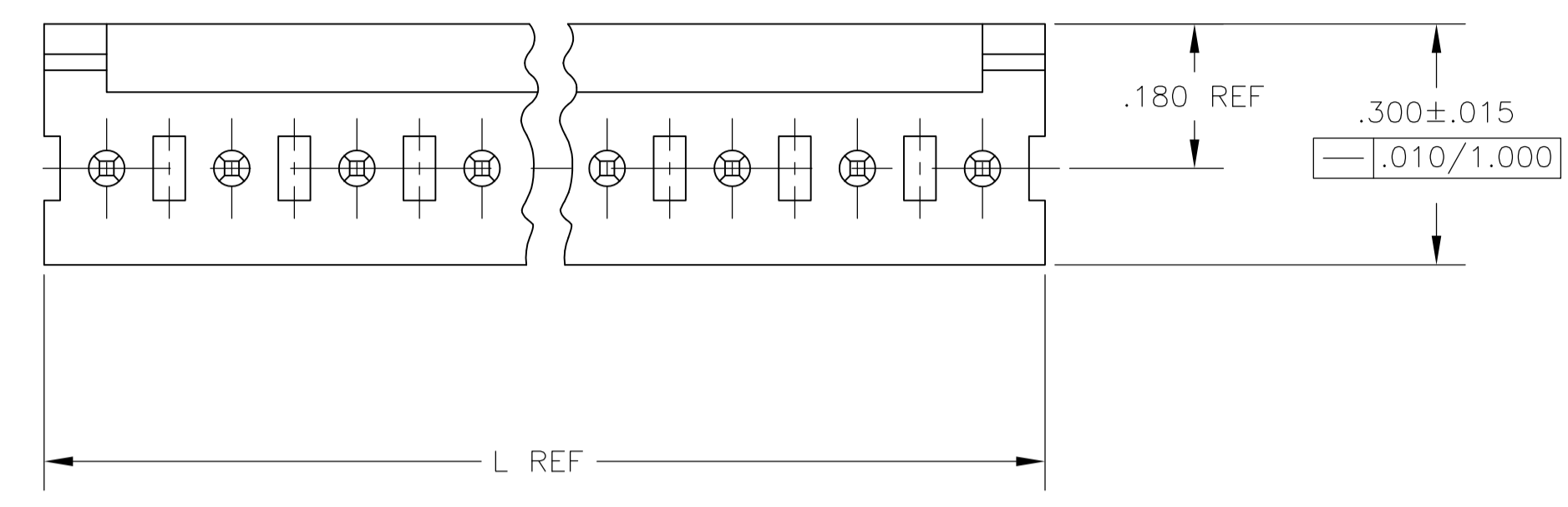


LOC	DIST	REVISIONS			
CM	00	REV	DESCRIPTION	DATE	BY
		AB	REVISED PER ECO-12-016926	04OCT12	KH SM
		AB1	REVISED PER ECR-14-017613	25NOV14	A.Z D.Z



INCHES	MILLIMETERS	INCHES	MILLIMETERS
.063	1.60		
.060	1.52	1.000	25.40
.051	1.30	.700	17.78
.046	1.17	.450	11.43
.045	1.14	.425	10.80
.030	0.76	.300	7.62
.015	0.38	.180	4.57
.012	0.30	.175	4.45
.010	0.25	.156	3.96
.008	0.20	.125	3.18
.005	0.13	.078	1.98
.003	0.08	.073	1.85
.001	0.03	.068	1.73
[IN]	MM	[IN]	MM

CONVERSION TABLE

RECOMMENDED MOUNTING HOLE PATTERN FOR .063 THICK P.C. BOARD

- 1 POST TO WITHSTAND 13 NEWTONS (3LBS.) MIN. AXIAL FORCE IN BOTH DIRECTIONS SHOWN WITHOUT DISLODGING.
- 2 TOLERANCES APPLY TO SOLDER SIDE OF BOARD.
- 3 MEASURED AT SURFACE -A-
- 4 PLASTIC FLASH PERMITTED IN THIS AREA.
- 5 PARTS COMPLY WITH AMP SOLDERABILITY SPEC. NO. 109-11-2.
- 6 ONE HOLE MAY BE UNDERSIZED (.051/.046 DIA.) FOR ASSEMBLY RETENTION DURING WAVE SOLDERING.
- 7 MATERIAL : HEADER-THERMOPLASTIC POLYESTER GLASS-FILLED 94V-0 (NATURAL) POST-COPPER ALLOY (TIN PLATED)
- 8 COORDINATE DIMENSION APPLIES FROM CENTER OF ACTUAL FEATURE.
- 9 PLASTIC BURRS CAUSED BY CUT-OFF TOOLING ARE PERMITTED WITHIN THE MAXIMUM TOLERANCE ENVELOPE.
- 10 POST TO BE MEASURED WHEN STRIP IS HELD FLAT.
- 11 POST MUST WITHSTAND TWO 90° BENDS AGAINST EXTRUSION WITHOUT BREAKING.
- 12 DIMENSION SHOULD BE .175 MIN WHEN MATING WITH A MTA 156 CONNECTOR ASSEMBLY OR A SL-156 CONNECTOR ASSEMBLY.
- 13 PIN BURR OF .005 MAX. VERTICAL AND .003 MAX. HORIZONTAL PERMITTED AT POST TIPS ON BOTH ENDS.
- 14 PRELIMINARY-NOT FOR PRODUCTION.

POST NO.(S)	MM	[IN]	NUMBER OF POSITIONS	PART NUMBER
7,9	39.62	1.560	10	4-640388-0
2	11.89	.468	3	3-640388-3
NONE	95.10	3.744	24	2-640388-4
NONE	91.14	3.588	23	2-640388-3
NONE	87.17	3.432	22	2-640388-2
NONE	83.21	3.276	21	2-640388-1
NONE	79.25	3.120	20	2-640388-0
NONE	75.29	2.964	19	1-640388-9
NONE	71.32	2.808	18	1-640388-8
NONE	67.36	2.652	17	1-640388-7
NONE	63.40	2.496	16	1-640388-6
NONE	59.44	2.340	15	1-640388-5
NONE	55.47	2.184	14	1-640388-4
NONE	51.51	2.028	13	1-640388-3
NONE	47.55	1.872	12	1-640388-2
NONE	43.59	1.716	11	1-640388-1
NONE	39.62	1.560	10	1-640388-0
NONE	35.66	1.404	9	640388-9
NONE	31.70	1.248	8	640388-8
NONE	27.74	1.092	7	640388-7
NONE	23.77	.936	6	640388-6
NONE	19.81	.780	5	640388-5
NONE	15.85	.624	4	640388-4
NONE	11.89	.468	3	640388-3
NONE	7.92	.312	2	640388-2

THIS DRAWING IS A CONTROLLED DOCUMENT.

APPROVED: S. HOOVER, D. ROSSI, D. ROSSI

DATE: 05NOV02, 05NOV02, 05NOV02

NAME: MTA-.156 HEADER ASSEMBLY, FRICTION LOCK, STRAIGHT .045 ROUND POST, TIN PLATED

PRODUCT SPEC: 108-1051

APPLICATION SPEC: 114-1020

SIZE: A1

WEIGHT: -

CUSTOMER DRAWING

SCALE: N/A

SHEET: 1 OF 1

REV: AB1