

Circular Connectors C 16-3

Part No. C016 00V000 021 1



Series Circular Connectors C 16-3

Subseries Circular Connector C 16-3

COMMON CHARACTERISTICS		
Crimp form		B
Flammability		V-0
ELECTRICAL CHARACTERISTICS		
Installation category	DIN EN 60664-1 / IEC 60664-1	III
Insulation group	DIN EN 60664-1 / IEC 60664-1	II
Insulation resistance	DIN EN 60512-3-1, Test 3a / IEC 60512-3-1, Test 3a	$\geq 10^8$
Contact resistance	DIN EN 60512-2-1, Test 2a / IEC 60512-2-1, Test 2a	≤ 5 m
Pollution degree	DIN EN 60664-1 / IEC 60664-1	3
MECHANICAL CHARACTERISTICS		
Mechanical lifetime (standard)		DIN EN 60512-9-1, Test 9a



3964



E63093



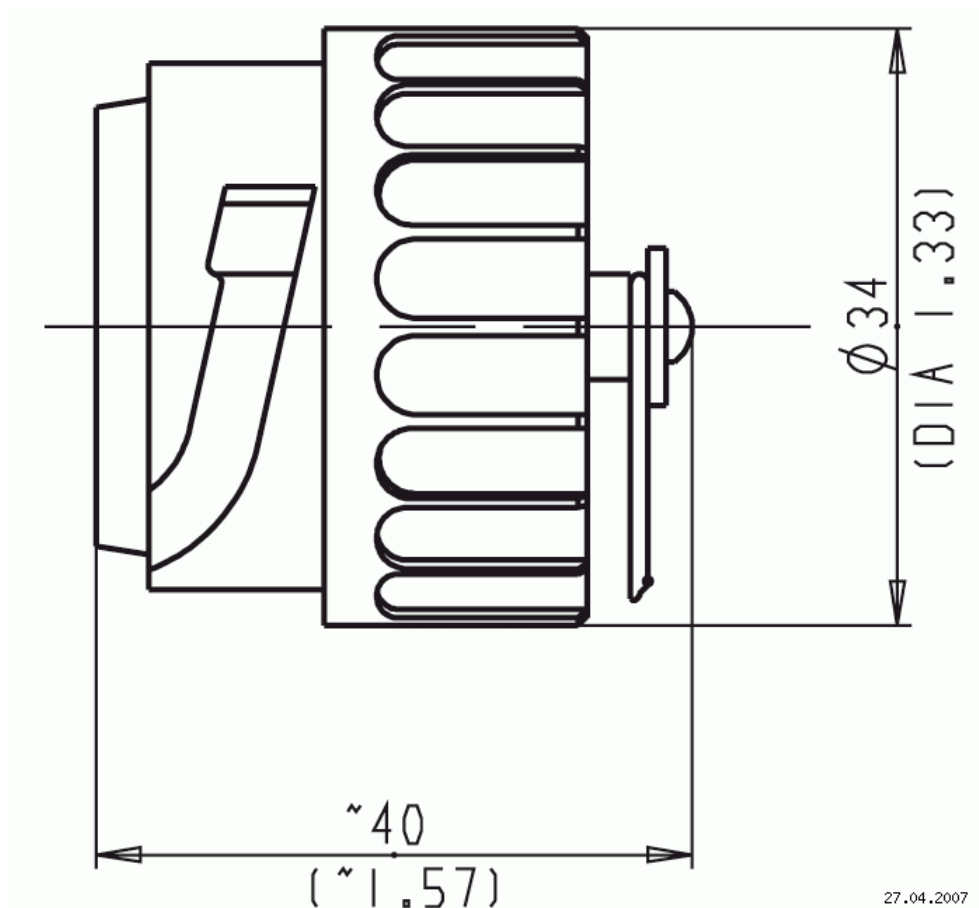
48932

Circular Connectors C 16-3

Part No. C016 00V000 021 1

Series Circular Connectors C 16-3

Subseries Circular Connector C 16-3



Drawing Dimensions in mm (Inch)

27.04.2007