

**Circular Plastic Connectors, Series 1, VDE Tested**

**CPC Connectors, Series 1, for Cable or Panel Mount** (Accepts Type III+, High-Current Power, Type II and Subminiature Coax Contacts)



- Designed to meet requirements of VDE as shown in DIN Specification 57627
- Recognized under the Component Program of Underwriters Laboratories Inc. for 600 VAC and 600 VDC service, File No. E28476
- Certified by Canadian Standards Association, File No. LR 7189

Listed part numbers are for connectors only; **contacts must be ordered separately.**

**Material**

**Housing**—Thermoplastic, 94V-0 rated, black

**Related Product Data**

- Contacts**—Pages 17-23
- Contact Arrangement**—Page 24
- Component Dimensions**—Page 25\*
- Accessories**—Pages 38-42, 52-54
- Performance Characteristics**—Page 6
- Application Tooling**—Pages 76-79
- Technical Documents**—Page 80

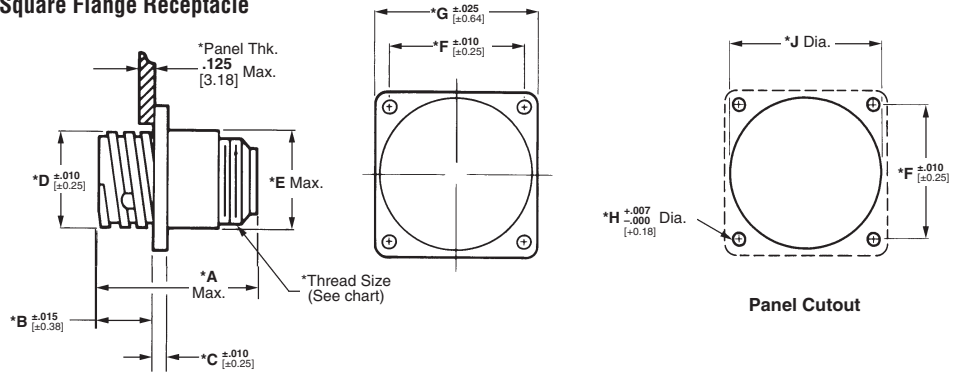
**Replacement Coupling Rings**

Shell Size	Part No.
13	213813-1
17	213810-1
23	213812-1

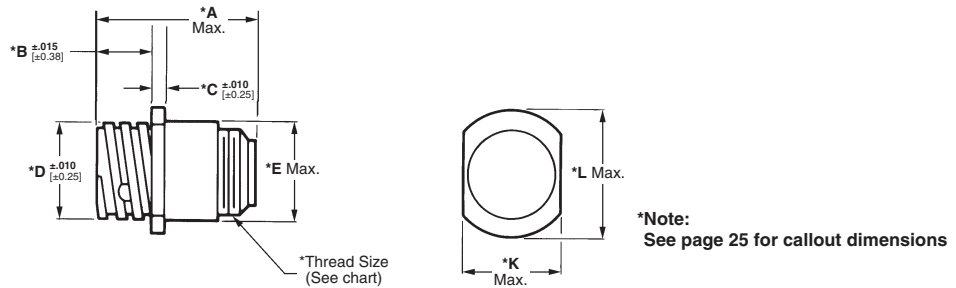
**Keying**

- A**—Standard Configuration: 5 Keys
- B**—Optional Configuration: 4 Keys

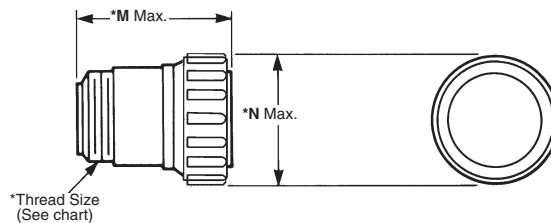
**Square Flange Receptacle**



**Free-Hanging Receptacle**



**Plug**



**Standard Sex Connectors** (Receptacles accept pin contacts, Plugs accept socket contacts)

Arrangement Shell No. of Size Positions	Keying	Square Flange Receptacle		Plug
		With Threaded Inserts <sup>1</sup>	With Mounting Holes	
13-7	A	211401-4	211401-1	211399-1
17-9	A	211767-2	211767-1	211766-1
23-19	A	211771-2	211771-1	211770-2
	B	—	213870-1	213853-1

<sup>1</sup>Four 4-40 threaded inserts per receptacle.

**Reverse Sex Connectors** (Receptacles accept socket contacts, Plugs accept pin contacts)

Arrangement Shell No. of Size Positions	Keying	Square Flange Receptacle		Free-Hanging Receptacle	Plug
		With Threaded Inserts <sup>1</sup>	With Mounting Holes		
13-7	A	211398-4	211398-1	211398-2	211400-1
17-9	A	—	211769-1	211769-3	211768-1
	B	—	796439-2	—	796450-1
23-19	A	—	211773-1	—	211772-1
	B	—	213868-1	—	213852-1

<sup>1</sup>Four 4-40 threaded inserts per receptacle.

Key Style "A" is the Standard 5 Locating Key arrangement. Key Style "B" is the 4 Locating Key arrangement.