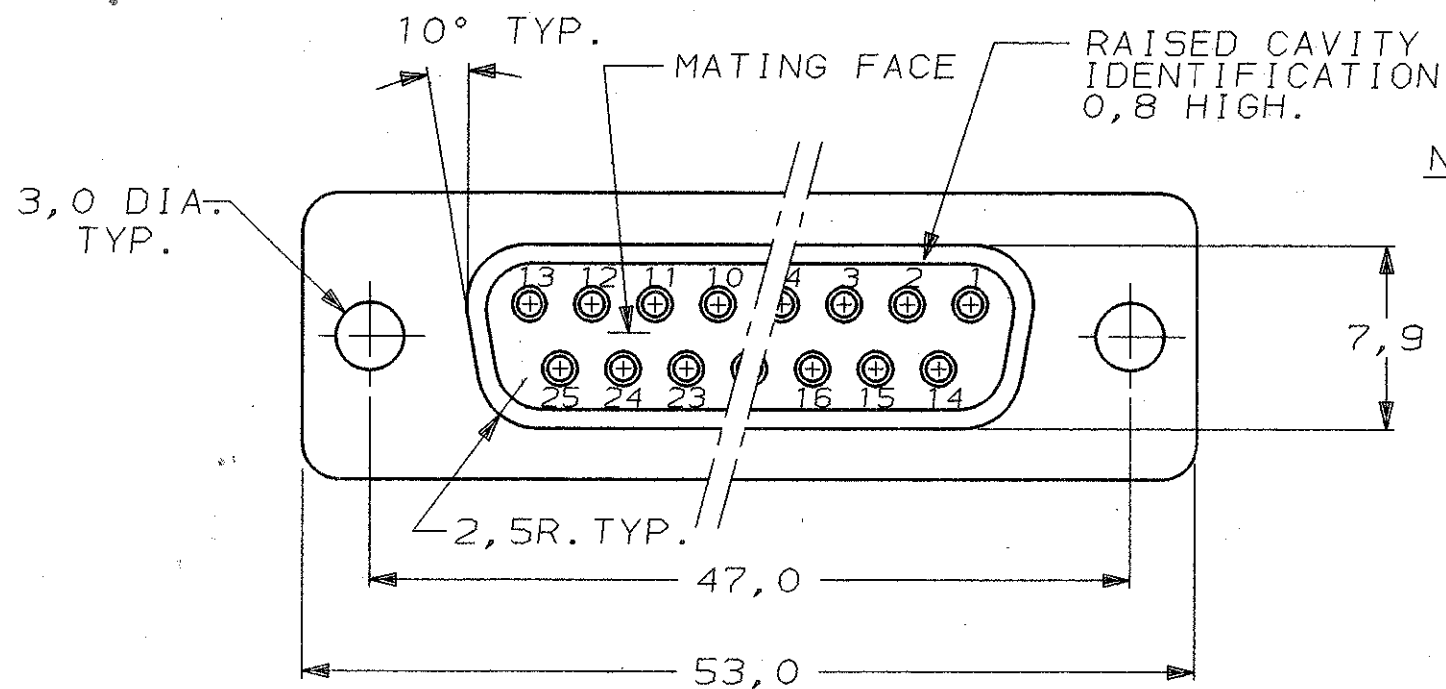
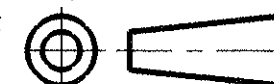


DO NOT SCALE

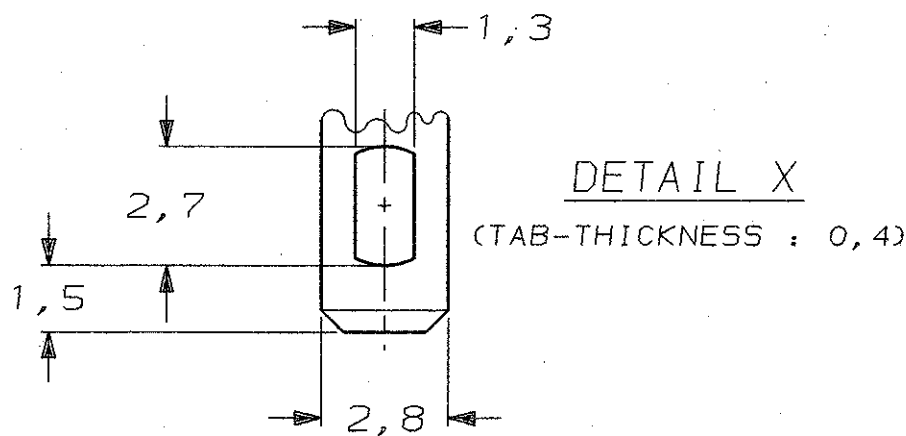
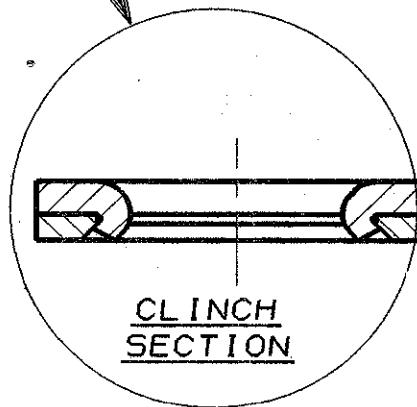
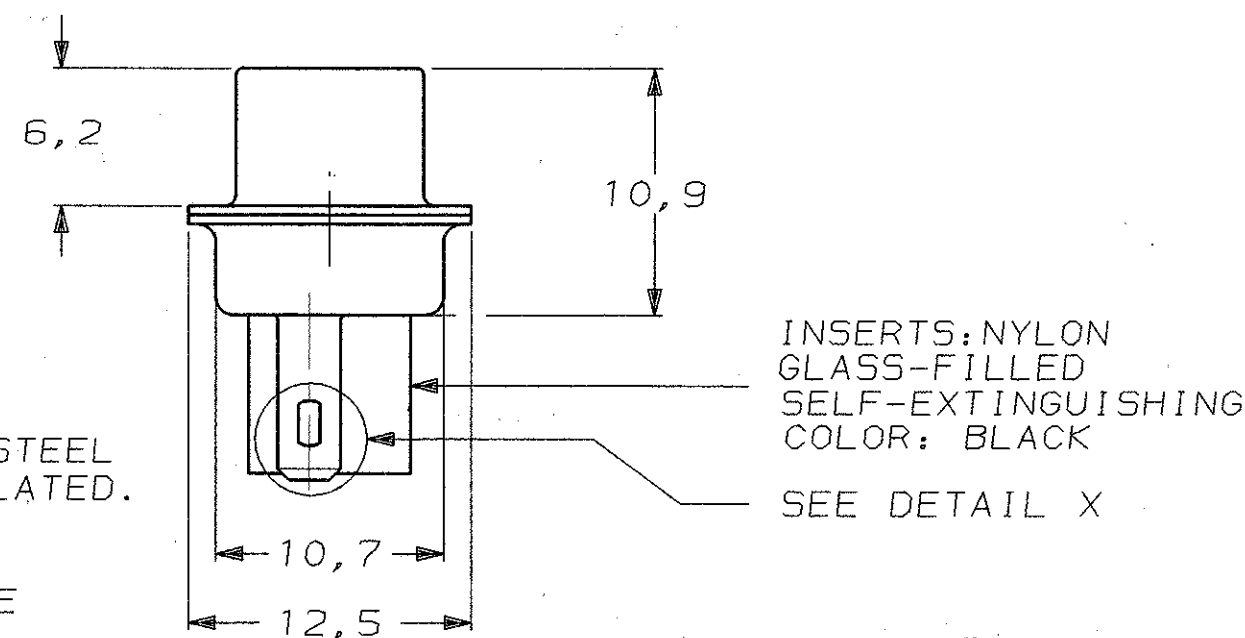
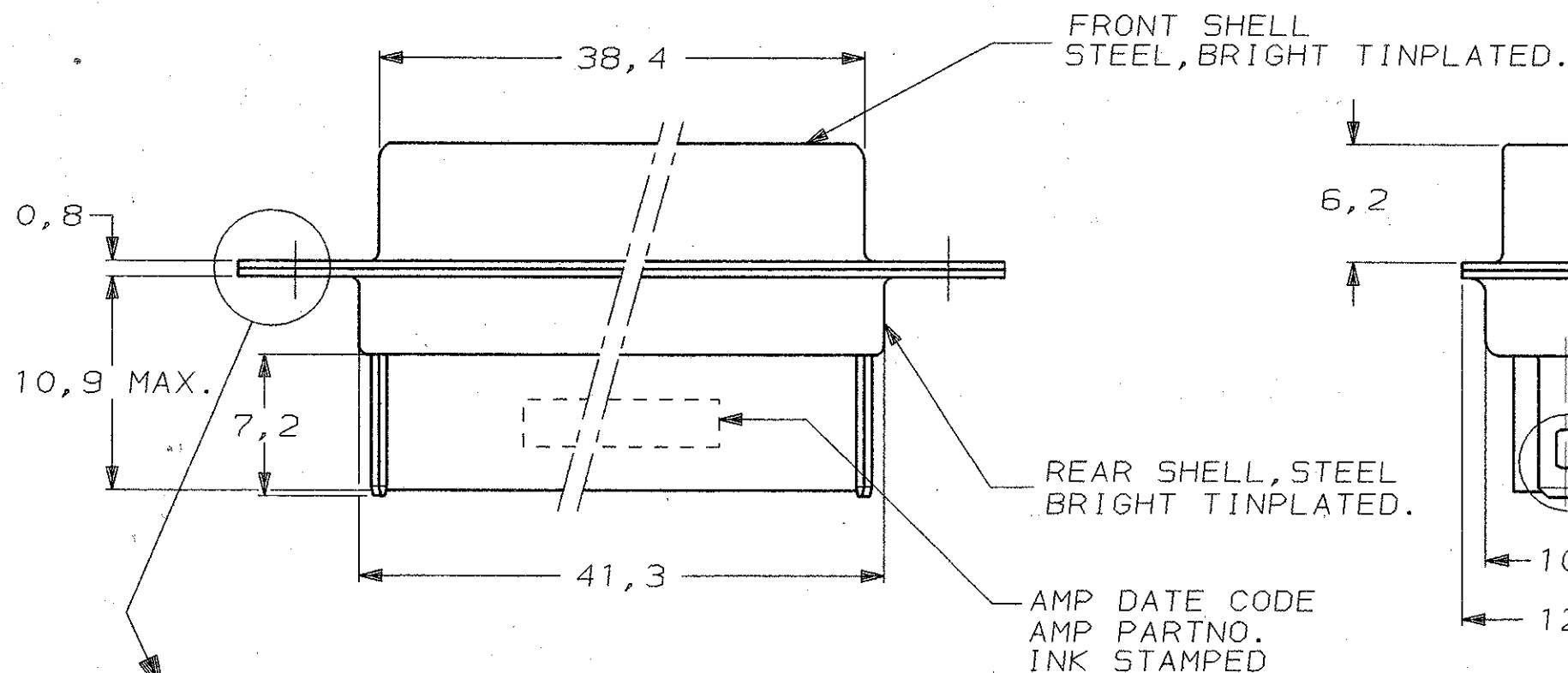
DIMENSIONS IN mm

METRIC

THIRD ANGLE
PROJECTION



- NOTES: 1 THIS RECEPTACLE ACCEPTS SIZE 20 REC. CONTACTS.
 2 MAXIMUM WIRE INSULATION RECOMMENDED FOR USE WITH THIS RECEPTACLE IS 1,73 DIA. MAX..
 3 RETENTION TINES ARE AN INTEGRAL PART OF INSERT.
 4 FOLLOWING INSERTION/REMOVAL TOOLS ARE RECOMMENDED FOR USE WITH THESE CONNECTORS:
- | | |
|---------------------------|---------------------------|
| 32-28AWG/28-24AWG CONT's | 24-20AWG CONTACTS |
| 91067-3 INSERTION/REMOVAL | 91067-2 INSERTION/REMOVAL |
| 726363-1 INSERTION ONLY | 726363-1 INSERTION ONLY |
| | 726364-1 REMOVAL ONLY |



CUSTOMER DRAWING FOR REFERENCE ONLY WILL NOT BE UPDATED	SEE DRAWING	SEE DRAWING	215489-1
	FINISH	MATERIAL	PARTNUMBER
	AMP-HOLLAND B.V. s'-Hertogenbosch, The Netherlands.		
	THIS DRAWING IS UNPUBLISHED RELEASED FOR PRODUCTION, 1987		
© COPYRIGHT 19- BY AMP-HOLLAND B.V. ALL INTERNATIONAL RIGHTS RESERVED. AMP PRODUCTS MAY BE COVERED BY U.S. AND FOREIGN PATENTS AND/OR PATENTS PENDING.			
DR. B. MOOIJ.	DATE 20-08-86	WIRE RANGE -	NAME HDP-20 REC. CONNECTOR, SIZE 3, (25 POSITION) WITH SOLDER TABS
CHK. C.v. TILBURG.	DATE 28-08-86	INSUL. RANGE -	REV. DATE 191187
APP. L.v. SOEST.	DATE 28-08-86	SIZE A3	SHEET 1 OF 1
DWG. No. C-215489			REV. LTR. A

8 7 6 5 4 3 2 1