

MOD II Receptacle Housings

Single and Double Row

Specification:

Housing - Black thermoplastic,
UL 94V-1 rated

Mating Connectors:

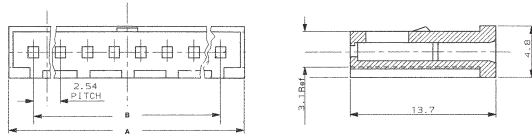
MOD II Shrouded Headers - Pages 15-16
MOD II Pin Housings - Page 13

Technical Documents:

Product Specification - 108-20025
Application Specification - 114-20004

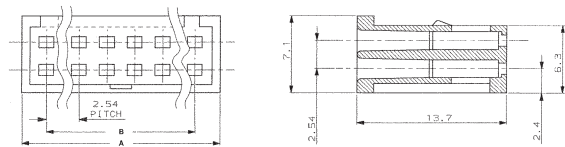


Single Row



No. of Positions	Dimension		Part Number
	A	B	
2	7.1	2.54	280358
4	12.2	7.62	280359
6	17.3	12.70	280360
8	22.3	17.78	280361
9	24.9	20.32	280512
10	27.4	22.86	280362
12	32.5	27.94	280514
15	40.1	35.56	280363
22	57.9	53.34	280364
Keying Plug			87077-2

Double Row



No. of Positions	Dimension		Part Number
	A	B	
2x4	12.2	7.62	280365
2x5	14.7	10.16	284123-1
2x6	17.2	12.70	282792-1
2x8	22.3	17.78	280366
2x9	24.9	20.32	280513
2x12	32.5	27.94	280515
2x15	40.1	35.56	280368
2x18	47.8	43.18	281018
2x22	57.9	53.34	280369
Keying Plug			87077-2

MOD II Crimp Snap-In Receptacle Contacts with Insulation Support

Specification:

Material - Phosphor bronze, plated as follows:

Plating A - Pre-tin plated 0.8 µm

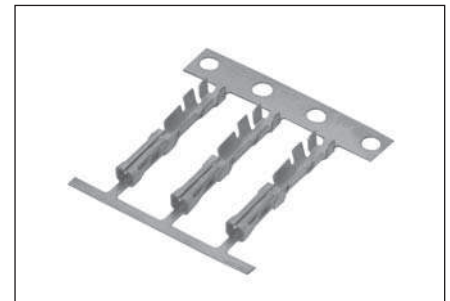
Plating B - Selectively plated 0.4 µm gold on contact area, with gold flash over 1.3 µm nickel on entire contact

Plating C - Selectively plated 0.4 µm gold on contact area, over 1.3 µm nickel on entire contact

Plating D - Selectively plated 0.8 µm gold on contact area, with gold flash over 1.3 µm nickel on entire contact

Technical Documents:

Product Specification - 108-20025
Application Specification - 114-20004



Wire Size Range mm ²	AWG	Insulation Diameter mm	Plating	Part Number	
				Strip Form	Loose Piece
0.5-0.2	20-24	1.60 max	Plating D	281999-1	-
			Plating A	281556-2*	-
0.32-0.13	22-26	0.90-1.55	Plating B	280530-1	181270-1
			Plating C	280530-3	181270-3
			Plating D	280530-4	181270-4
			Plating A	280708-2*	182206-2*
0.08-0.04	28-30	0.64-1.27	Plating B	280422-1	181271-1
			Plating A	280709-2*	182207-2*

* With high contact pressure

For application tooling please see page 49