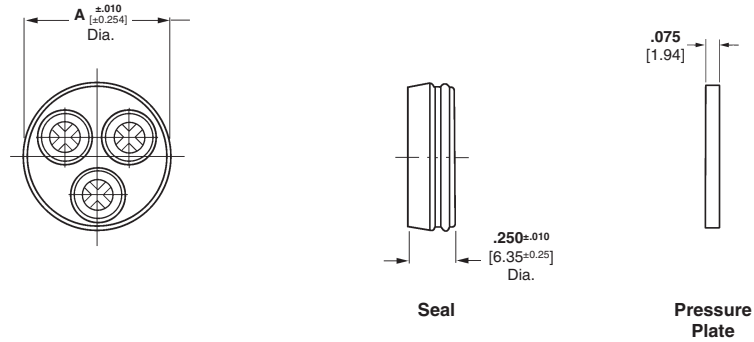


Two-Piece Circular Plastic Connector Sealing Accessories

Wire Entry Seal Kits for Plug and Receptacle Housings

Material and Finish

Seal—Silicon, black
Pressure Plate—Nylon, black



Arrangement No.	Insulation Dia. Range	Dimension A	Kit for Pins	Kit for Sockets
13-9	.075-.125 1.91-3.18	.681 17.30	213926-1	213925-1
17-3	.178-.265 4.52-6.73	.790 20.07	213899-1	213899-1
17-10	.178-.265 4.52-6.73	.790 20.07	213900-1	213900-1
	.075-.125 1.91-3.18			
17-14	.075-.125 1.91-3.16	.790 20.07	213919-2	213919-1
17-16	.075-.125 1.91-3.16	.790 20.07	213920-2	213920-1

Notes: 1. Kits include one Gang Seal and one Pressure Plate marked for cavity identification.
2. Arrangement No. 17-10 Insulation Dia. Range .176-.265 [4.52-6.73] for two holes, .075-.125 [1.95-3.18] for eight holes.

Flange Seals

Material Neoprene, black

Related Product Data

Dimensions—Shell Size 17 shown; request Customer Drawings for other sizes

Shell Size	Part No.
11	81665-3
13	81665-4
17 (shown)	81665-2
23	81665-5

