

Metal-Shell Circular Plastic Connectors, Series 1 (Continued)

**Metal-Shell CPC
Connectors, Series 1,
Reverse Sex**



Listed part numbers are for connectors only; **contacts must be ordered separately.**

Material and Finish

Square Flange Receptacle—

Housing—Thermoplastic, UL 94V-0 rated, black

Metal-Shell—Zinc alloy, plated nickel

Grooved Pin—Steel alloy, plated nickel

Plug—

Housing—Thermoplastic, UL 94V-0 rated, black

Metal-Shell—Zinc alloy, plated nickel

Tetraseal Seal—Fluorocarbon

Retainer Ring—Retainer Ring

Coupling Ring—Zinc alloy, plated nickel

Related Product Data

Contacts—Pages 17-21

Contact Arrangement—Page 61

Component Dimensions—Page 70

Accessories—Page 71

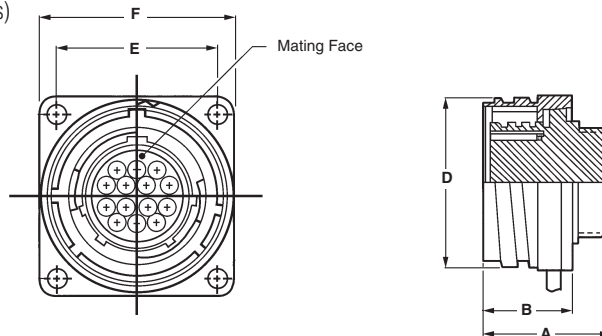
Performance Characteristics—Page 6

Application Tooling—Pages 76-79

Technical Documents—Page 80

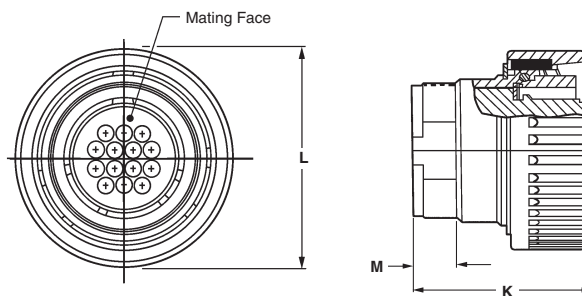
Square Flange Receptacles

(Accepts Multimatch Sockets)



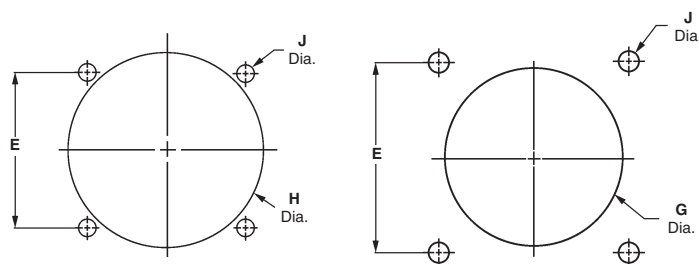
Plugs

(Accepts Multimatch Pins)



Arrangement	Square Flange Receptacle	Plug Part No.	
		without TETRASEALS Ring	with TETRASEALS Ring
14-5	208721-1	208720-1	—
14-7	208717-1	208716-1	208716-2
22-14	208487-1	208486-1	208486-3
28-37	208473-1	208472-1	208472-3

Note: Maximum wire insulation diameter is .100 [2.54], except arrangements 14-5 and 28-24 are .150 [3.81] max.



Rear Mount Panel Cutout

Front Mount Panel Cutout

TETRASEALS Ring

(Installed in plugs only.)

The TETRASEALS Ring provides splash-proof sealing between mating metal shells. It is located behind the plug shell external keys (under the coupling ring). When mated with a receptacle, the ring is compressed against the inside diameter of the mating end edge of the receptacle shell.

