

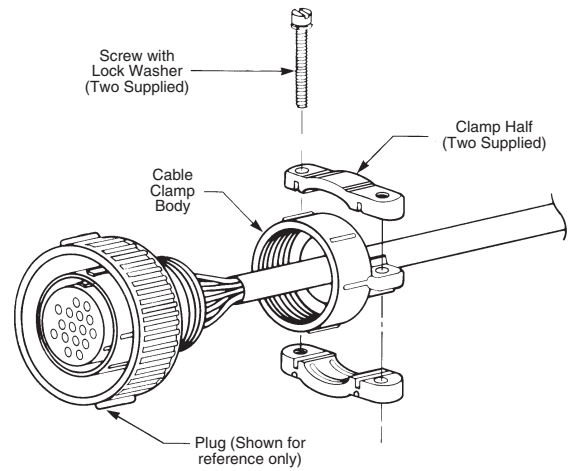
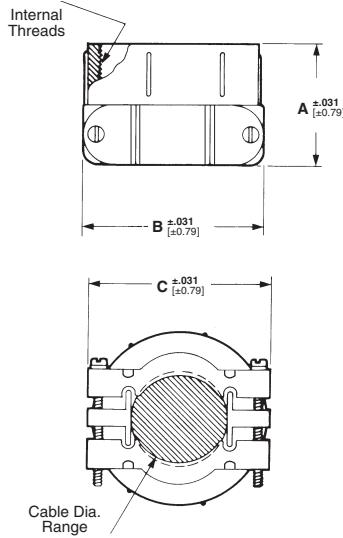
**Metal-Shell CPC Connector Accessories**

**Cable Clamps**

**Material and Finish**

**Body and Clamp Halves**—Zinc alloy, nickel plated

**Screws and Washers**—Stainless steel



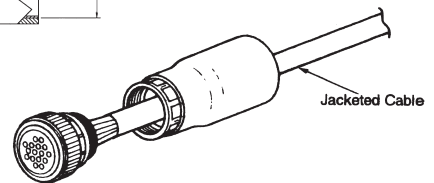
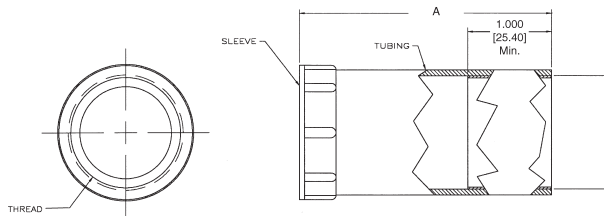
Shell Size	Dimensions			Cable O.D. Range	Thread Size	Part No.
	A	B	C			
14	.938	1.175	1.165	.225-.562 5.71-14.27	7/8-20 UNEF-3B	208945-5
	23.83	29.85	29.59			
22	.938	1.432	1.469	.325-.750 8.26-19.05	1-3/16-18 UNEF-3B	208945-7
	23.83	36.37	37.31			
28	1.031	1.593	1.688	.450-.938 11.43-23.83	1-7/16-18 UNEF-3B	208945-8
	26.19	40.46	42.88			

**Notes:** 1. For Shell Size 22 Receptacle use plastic cable clamp Size 17 (See page 38), for Shell Size 28 Receptacle use plastic cable clamp Size 23 (See pages 38-39). Use Size 14 metal cable clamp for both plug and receptacle Size 14 connectors.  
2. Metal cable clamps (Sizes 22 and 28) are for use with Metal-Shell CPC plugs ONLY.

**Cable Entry Seals**

Heat Shrinkable Sealing Boots

Cable entry seals are used with jacketed cable to provide an environmentally sealed wire-to-connector system. They can be used with plugs.



**Thick Wall Boots**

**Material**

**Internal Sleeve**—Nylon

**Outer Tubing**—Polyolefin, black

Shell Size	Dimensions		Expanded Wall Thickness	Sealing Range (Dia.)	Max. Recovered Inside Dia.	Part No.
	A	B				
22	3.000	1.250	.070	.550 - 1.250	.500	54012-3
28	76.20	31.75	1.78	13.97 - 31.75	12.70	54012-4

**Protective Cap Assemblies (for Metal-Shell CPC Receptacles Only)**

**Material and Finish**

Zinc alloy, nickel plated

Shell Size	Dimensions		Part No.
	A	B	
14	1.225	.515	213823-2
	31.11	13.08	
22	1.750	.635	211903-1
	44.45	16.13	
28	2.170	.635	211904-1
	55.12	16.13	

