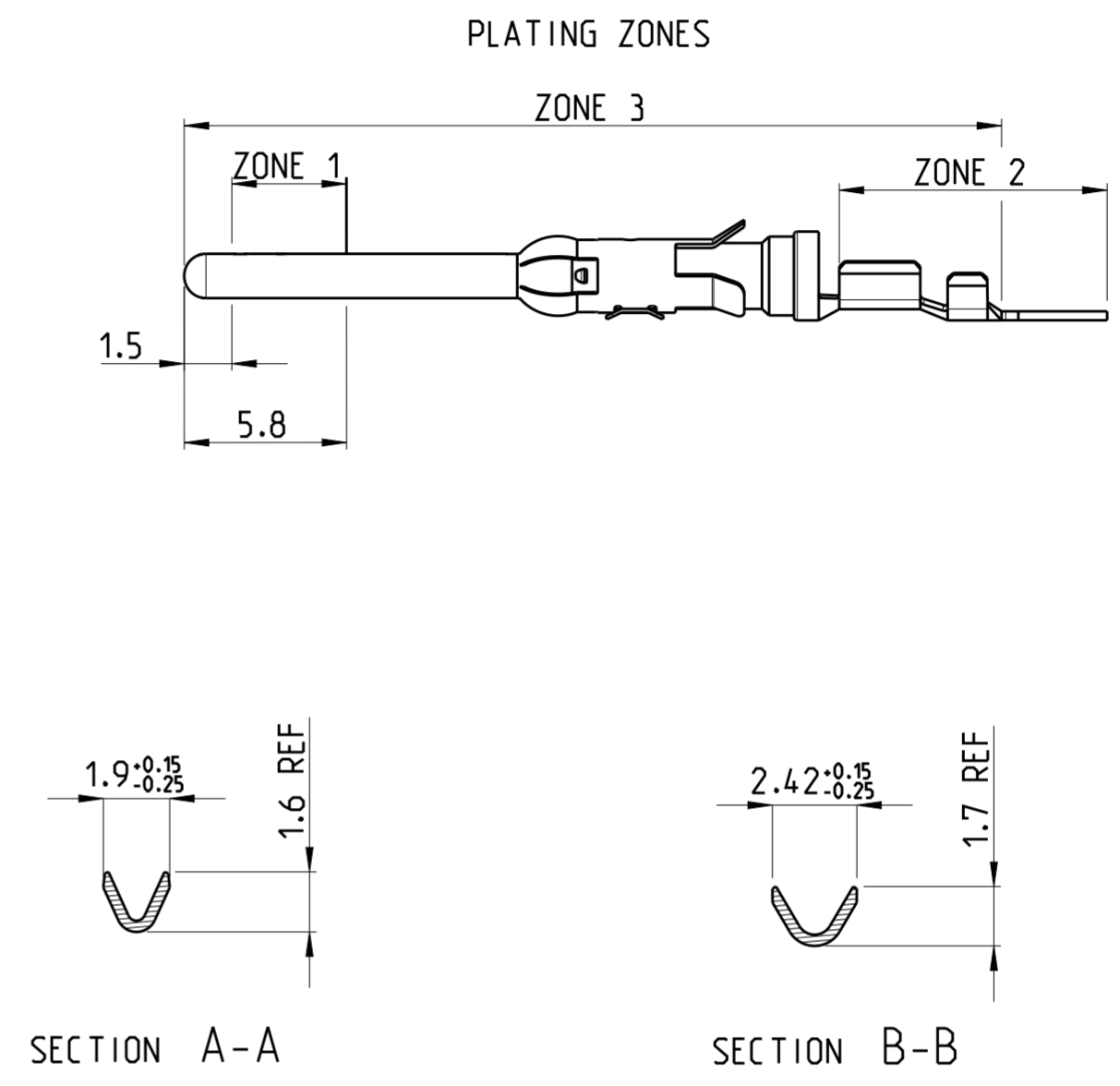
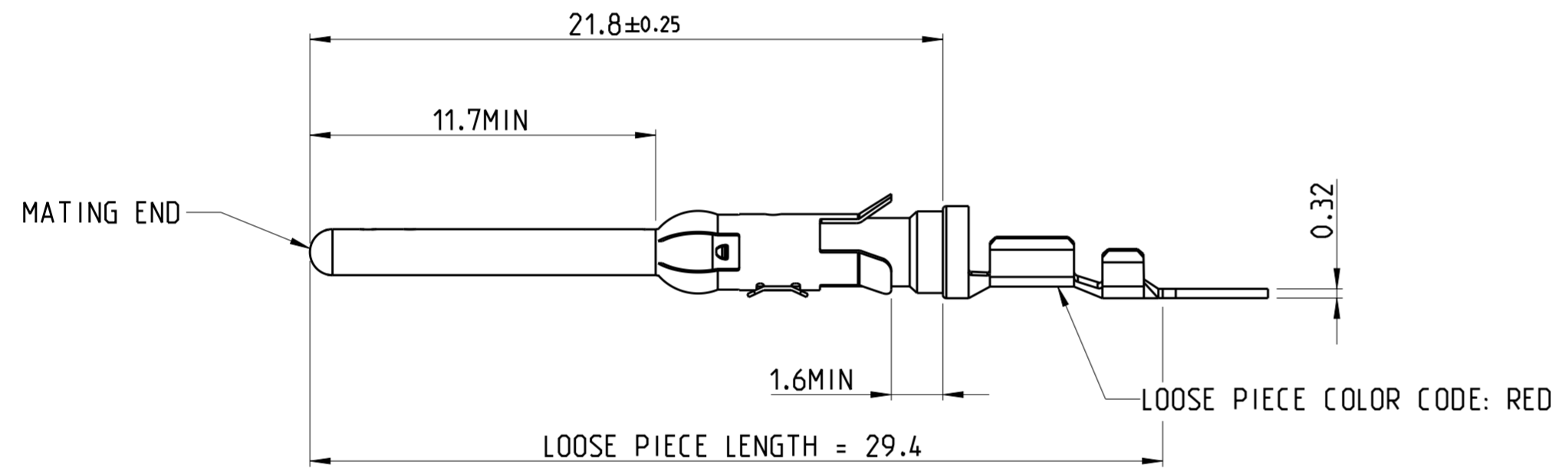
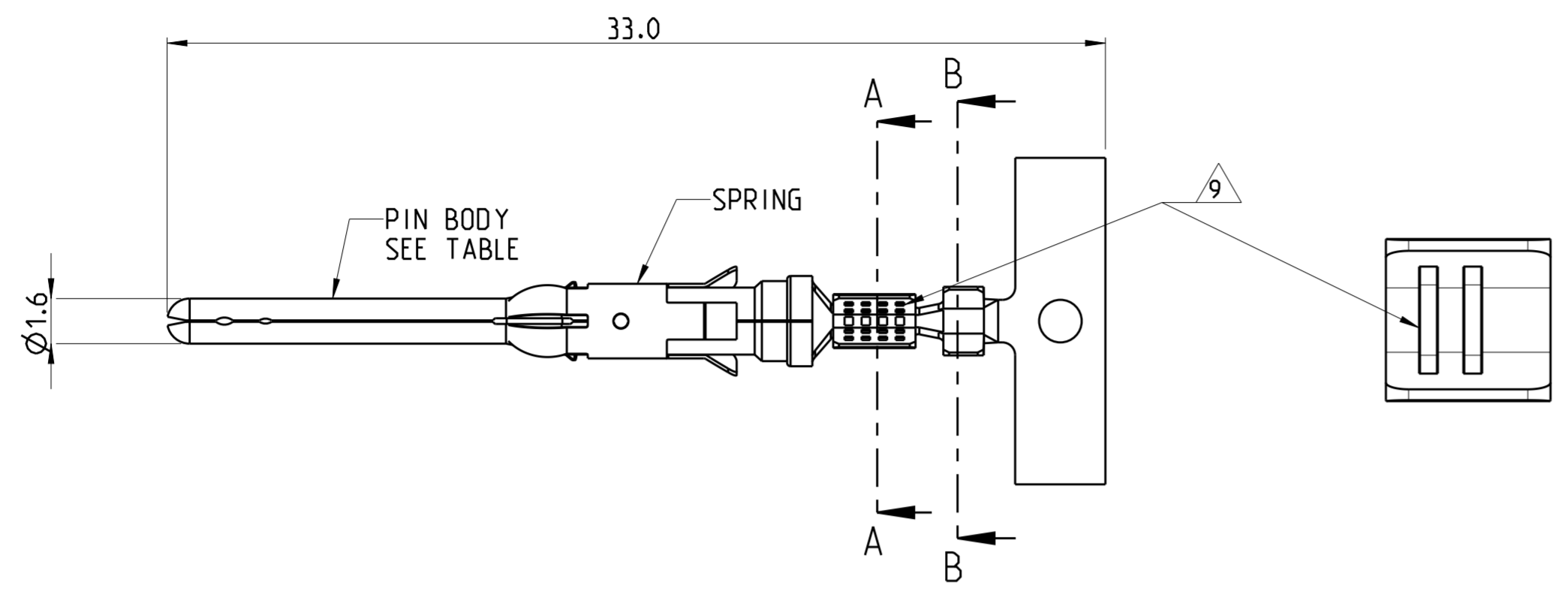


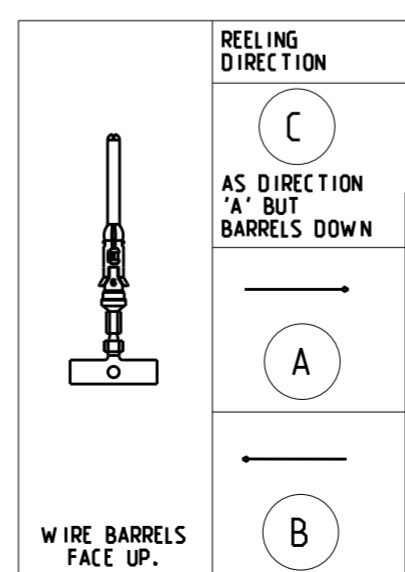
THIS DRAWING IS UNPUBLISHED. RELEASED FOR PUBLICATION 20
 (C) COPYRIGHT 20 BY - ALL RIGHTS RESERVED.

| LOC | DIST | REVISIONS | | | | | |
|-----|------|-----------|-----|--------------------------|-----------|-----|------|
| B | E | P | LTR | DESCRIPTION | DATE | DWN | APVD |
| | | F1 | | COLOR CODE DETAILS ADDED | 09JAN2014 | TJ | JK |



- 1. 1.27 MICRON MIN NICKEL PLATE OVER ZONE 3.
0.76 MICRON MIN PRECIOUS METAL PLATE OVER ZONE 1.
1 MICRON MIN TIN PLATE OVER ZONE 2.
CONFORMS TO THE REQUIREMENTS OF TE CONNECTIVITY PRODUCT SPEC 108-10042
BASED ON EIA/ECA-364-1000.01A (CONTROLLED ENVIRONMENT APPLICATIONS)
- 2. 1.27 MICRONS MIN NICKEL PLATE OVER ZONE 3.
0.76 MICRON MIN PRECIOUS METAL ELECTROPLATE OVER ZONE 1.
0.076 MICRON MIN GOLD FLASH PLATE OVER THE REMAINDER OF ZONE 3.
CONFORMS TO THE REQUIREMENTS OF TE CONNECTIVITY PRODUCT SPEC 108-10042
BASED ON EIA/ECA-364-1000.01A (CONTROLLED ENVIRONMENT APPLICATIONS)
- 3. 1.54 - 2.54 MICRON SILVER PLATE OVER ZONE 3.
- 4. 1.27 MICRON MIN NICKEL PLATE OVER ZONE 3.
0.76 MICRON MIN GOLD PLATE OVER ZONE 1.
0.076 MICRON MIN GOLDFLASH PLATE OVER THE REMAINDER OF ZONE 3.
- 5. 1.27 MICRON MIN NICKEL PLATE OVER ZONE 3.
0.76 MICRON MIN GOLD PLATE OVER ZONE 1.
1 MICRON MIN TIN PLATE OVER ZONE 2.
- 6. HOT-DIPPED PRETIN
- 7. 1.27 MICRONS MIN NICKEL PLATE OVER ZONE 3.
1 - 3 MICRON ELECTRO-TIN PLATE OVER ZONE 3
- 8. 0.76 MICRON MIN NICKEL PLATE OVER ZONE 3 PER QQ-N-290
1.5 - 2.54 MICRON SILVER PLATE OVER ZONE 3.
- 9. SERRATIONS CAN BE MULTILOCK OR TWO SLOTS.
- 10. WIRE RANGE: 0.12-0.20 mm² (26-24 AWG)
- 11. INSULATION RANGE: 0.9-1.4 mm (.035-.055) DIA

| | | | | | |
|---------|--------|-----------------|----------|-------------|----------|
| A | 1 | STAINLESS STEEL | BRASS | 164162-4 | 164159-7 |
| B | 1 | STAINLESS STEEL | BRASS | | 164159-6 |
| A | 2 | STAINLESS STEEL | BRASS | | 164159-4 |
| A | 7 | STAINLESS STEEL | BRASS | | 164159-3 |
| B | 2 | STAINLESS STEEL | BRASS | 164162-2 | 164159-2 |
| B | 7 | STAINLESS STEEL | BRASS | 164162-1 | 164159-1 |
| REELING | FINISH | SPRING MATERIAL | PIN BODY | LOOSE PIECE | PART NO |



THIS DRAWING IS A CONTROLLED DOCUMENT.

| | | | |
|-------------|--|------------------|-----------|
| DIMENSIONS: | TOLERANCES UNLESS OTHERWISE SPECIFIED: | DWN | 01JUN2012 |
| mm | 0 PLC ±0.5 | M.GREENER | |
| | 1 PLC ±0.25 | CHK | 01JUN2012 |
| | 2 PLC ±0.15 | J.BRIGHT | |
| | 3 PLC ±0.15 | APVD | 01JUN2012 |
| | 4 PLC ± | D.PENNINGTON | |
| MATERIAL | ANGLES ±2° | PRODUCT SPEC | 108-10042 |
| SEE TABLE | FINISH | APPLICATION SPEC | 114-19000 |
| | | WEIGHT | - |
| | | SCALE | NTS |

STE TE Connectivity

MULTIMATE CONTACTS-PIN ASS'Y
TYPE III, SIZE 16, LONG SERIES.
26-24 AWG, 0.9-1.4mm DIA INSULATION

SIZE A2 CAGE CODE 00779 DRAWING NO C-164159 RESTRICTED TO

CUSTOMER DRAWING SHEET 1 OF 1 REV F1